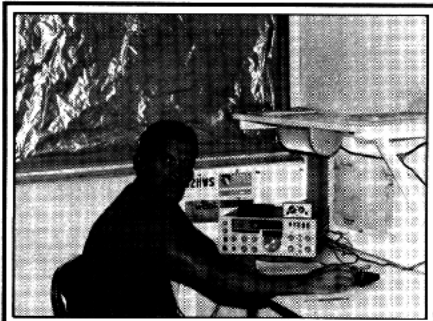
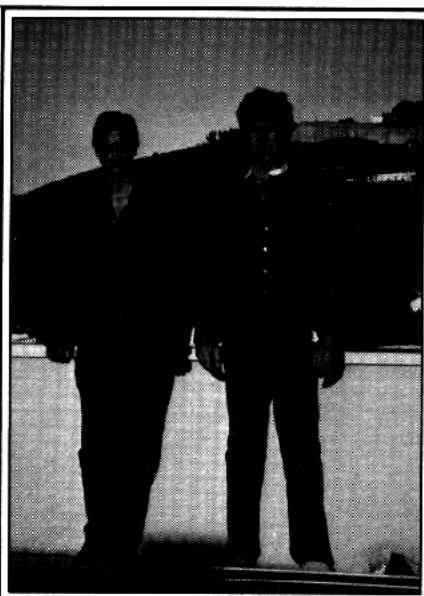


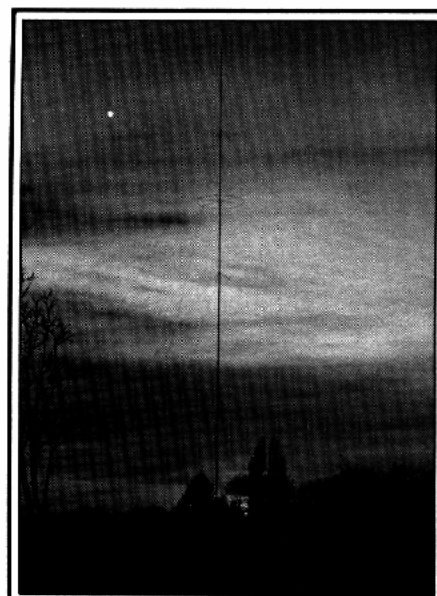
Ville, OH2MM, traveled halfway around the world to visit Phil, YB0ARA, and put his station to the test in the all-band category.



A fine single band 21 MHz effort was shown by KA2DIV/V2A.



Jim Neiger, N6TJ, is shown here next to host EA9KF just before the contest. Jim managed a fantastic 5 million plus to finish second to rival N6AA from 9Y4VT.



HB9AMO used this 85 foot vertical on 160 meters to amass 60K and a third-place finish. Lots of low-band activity at this time of the sun-spot cycle.

1984 CQ WORLD-WIDE DX CONTEST C.W. RESULTS

BY LARRY BROCKMAN*, N6AR/4 AND BOB COX**, K3EST,

It is the 47th hour of the CQ WW CW test, and our hero is just about exhausted. It has been a long contest this year. The receiver has hissed continuously on 28 MHz, and George is sure there is something wrong with it. Where were all those Europeans on 10? Surely 10 meters was worth more than 20 QSOs. And 80 meters—if George hears W3 blankety blank call CQ one more time he will scream. Does K6 ump de ump really think he can fool us into believing those imaginary JA calls George heard him "logging" on 40? With George's 5 over 5, he would have heard them for sure. And then there's the litany of DX stations just running contact after contact who failed to identify their call. George tried his best on that one, transmitting a well-placed di di dah dah di di in there often to wake up those turkeys. The nerve of that UK2 for telling George he had duped him 7 times on 20. Right now, George

was going to stop the daydreaming and get back to his CQing on 15. Got to get all those JAs he missed yesterday. This would be his best hour of the contest. But what's this? Oh, no. It's K6 ump de ump trying to take over George's frequency again. That guy would never learn; there he goes logging those imaginary calls, too. But George knows better, and another couple of cycles of the CQ machine and that K6 would be gone. Aw nuts, what's the use; George will move instead. So, up 5 kHz George goes and he strums out a CQ. "QRL, QRL . . ." resounds melodiously out of the receiver, so the dial spins again, and another CQ. "W3 blankety blank QRZ . . ."

Oh well, 40 is a better bet the last hour anyway. There are just 40 minutes left to go now, and George sets his mind to chasing multipliers. With a flash he is tuned up and ready to go. What's this? It's for real, SU11M on 40 CW. Boy, will he show that W3. George is going to scoop him on zone 34 on 40. So, George sets after his prey. George calls him long, and George calls him hard. Well-placed 4 by 4's; that will do it. "Lid, lid . . ." booms from the headphones, but our hero is sure they're talk-

ing about that lousy W3 who is in there now, too. "K6 ump de ump, K6 ump de ump de SU11M . . ." With this George has lost all vestige of the exhaustion we spoke of. George is now as single minded as a man can be. George is going to work that SU or else.

It is now 0005Z, and George is sure he will be next with the SU. Everyone has stopped calling, and it'll be clear on this next try. But the phone rings. It's Joe over at W3 blankety blank. "How was it? It was fantastic, the best CQ WW ever . . ." With that pearl, let us just check and find out how the Georges and Joes of the world did this year.

The All Band Results

This year's new team competition seems to have generated interest and rivalry among some of the perennial entrants. The "Downhill Contesting Team" sent representatives to 5 continents, and ended up with 4 of the top 7 single operator scores in the world. Dick Norton, returning again to 9Y4VU, took the top spot with 5.6 million, with teammate Jim Neiger a close second with 5.0M from EA9KF. Jim

*12041 Walker Pond Rd., Winter Garden, FL 32787

**c/o CQ magazine

A PEEK-A-BOO VIEW
of the new
AEA MODEL PK-64™
PACKET SYSTEM
For the
Commodore C-64 computer



The PK-64 PACKET RADIO SYSTEM contains everything you need to make your existing station and C-64 computer into an advanced packet radio station and digipeater with the least effort (and cost) possible with today's technology.

Check out just some of the special features in the following sneak preview:

- **Hardware HDLC for full-duplex operation.**
- **Keyboard selectable HF or VHF modem built-in.**
- **Optional front panel tuning indicator for improved HF tuning.**
- **12 Volt DC operation.**
- **Special MBA-TOR™ style Communications Software including:**
 - **Split screen for more efficient communications.**
 - **Text Editing**
 - **Disk and Cassette I/O and storage capabilities.**
 - **Internal Clock automatically logs connect and disconnect times and dates.**

If you can wire a microphone connector on the end of a cable, now YOU can get on packet Radio for an introductory price under \$220. The PK-64 is scheduled for limited deliveries in September so order yours now from your favorite dealer, or send for more information.

Advanced Electronic Applications, Inc.
POB C-2160, Lynnwood, WA 98036-0918
(206) 775-7373

TELEX: 6972496 AEA INTL UW



managed an outstanding 160 meter effort on multipliers, but Dick made up for it with many more contacts (almost 200) and multipliers on 10 meters. Dave, N3RD/VP9, rounded out the top 3 with a fine 3.7 M. Marty Laine, OH2BH, posted a 4th place finish from CT1BCM, setting a new European Continental record, the only single operator all-band record set this year. In the USA category, Lew, N2LT, captured the lead with 2.2 M, and then WA8YVR at 1.9M and K1DG at 1.85 M. These were followed by 5 other W's within 200K of each other in a tough competition with many hours of poor conditions. The West Coast seemed to be particularly hard hit on conditions, with the best of the 6's and 7's managing to just break 1 M.

A contingent from Southern California traveled to French Guiana to join some of the locals for a super first-place effort in the world multi-single category (7.6M), a score that would have been second high in the World as a multi-multi. KD7P/KH2 provided much needed zone 27 activity in their 4.5 M second-place finish, a new Oceania record. EA3VY, 5H3BH, and HZ1AB in that order were in an incredible scramble for third, with only 100 K separating them out of 4 M. In the USA, it was Tom Taormina's new K5RC super station out of Texas that walked away with a 3.2 M first place, followed by K1ZZ and K1RX.

The boys at EA9CE radiated fine signals on all bands in their world high multi-multi effort with 9.2 M. Gene Walsh's N2AA multi-op machine took second honors from the USA with a fantastic 6.3M. Gene's 152 extra multipliers were no match for the extra 2800 W's and Europeans the EA9's logged. W3LPL and K6UA were second and third stateside, and fourth and sixth worldwide. YU1EXY, third worldwide, and JA9YBA, fifth worldwide, topped the multi-multi competition in Europe and Japan, respectively.

Single Band Results

This was a disastrous year for the high bands as old sol continued the decline in the cycle. Virtually no 10 meter activity existed other than the all banders. But, out of the noise some of the faithful managed to pull as many as 280 contacts and 43 countries. 4M7QP took the USA high with just 15 K, followed by DJ6RX and W8WPC. Stateside, W8WPC's 8550 was tops, with Jay Carr, W6FAY, second at 5814.

Fifteen meters was also down somewhat (see some of the comments in QRM). Yet 9Y4W amassed 700 K to win for the world, with fellow South Americans PY5ZR and LU4FDM behind him. K2EK finished fourth worldwide with 277 K, enough for the USA lead. He was followed stateside by W4UM and W6YA.

Jorge, LU8DQ, lost in his bid to set a world 14 MHz single-band record to add to his existing 15 and 10 meter world records, but he managed to pile up 1 M points on 20, the only single band score to exceed 1 M this year. OH8OS took second place with 715 K, and set a new European record on the way. N5CR racked up 337 K to take USA honors, with N3RS and KM9D, both over 300 K, in close competition.

It was the low bands where the slack was taken up, particularly on 40 meters. Four Continental records and the USA mark were wiped out. In fact, 4 USA stations broke KØRF's old 1981 mark of 337 K, with Dave, N5JJ, taking the marbles with a phenomenal 424 K. N6RO, K5MR, and K6NA used the excellent JA and

TOP SCORES

WORLD		USA	
Single Operator All Band		Single Operator All Band	
9Y4VT	5,595,040	N2LT	2,192,028
EA9KF	5,014,224	WA8YVR	1,928,259
N3RD/VP9	3,668,256	K1DG	1,850,453
CT1BCM	3,295,152	K1OX	1,843,428
4V2C	3,205,896	W1KM	1,741,922
ZL3GQ	2,756,467	W4RX	1,663,305
YB0ARA	2,663,424	K1EA	1,634,165
FM/W6SZN	2,581,176	N4WW	1,615,940
EA2IA	2,468,804	W1RM	1,556,100
N2LT	2,192,028	K3WW	1,450,345

Single Op Single Band 28 MHz		Single Op Single Band 28 MHz	
4M7QP	14,980	W8WPC	8,550
DJ6RX	11,020	W6FAY	5,814
W8WPC	8,550	W9VA	2,046
W6FAY	5,814	W1VEF	1,431
JH2KKW	5,354		
JO1N2T	4,448		

21 MHz		21 MHz	
9Y4W	701,181	K2EK	276,727
PY5ZR	403,627	W4UM	228,384
LU4FDM	362,664	W6YA	189,810
K2EK	276,727	W5VGX	176,596
UP2BM/UF	258,405	K5TSQ	171,336
IK2DVG	230,608	K3VK	122,109

14 MHz		14 MHz	
LU8DQ	1,027,860	N5CR	336,708
OH8OS	715,692	N3RS	314,505
YU4GD	539,760	KM9D	307,024
YT3A	421,031	N6GG	247,628
YV1TO	418,698	W6BH	247,324
YU7AV	388,088	N7TT	243,595

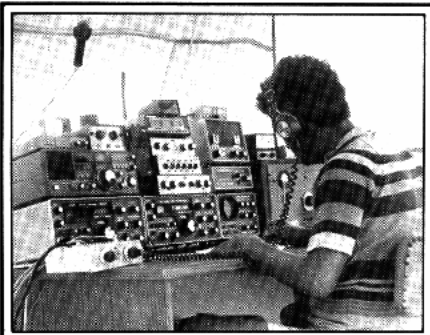
7 MHz		7 MHz	
YX5A	696,150	N5JJ	424,853
DK3GI	608,612	N6RO	376,301
UP3BA/UF	573,648	K5MR	365,613
9Y4VU	546,735	K6NA	343,035
YU3EY	545,936	K1BW	314,360
TE1C	519,480	WT4A	254,898

3.5 MHz		3.5 MHz	
UP2NK/UF	283,362	W1FV	99,495
UZ9AWZ	250,614	AA6AA	92,133
UH8EAA	210,820	N4RJ	69,258
HA8KQX	210,240	N7DF/Ø	51,354
EA8RL	207,823	W9LT	37,051
I4EAT	160,540	W5RK	35,840

1.8 MHz		1.8 MHz	
LZ1KDP	78,088	K5UR	28,032
LZ2CJ	60,844	K1ZM	19,323
HB9AMO	60,680	N2SU	9,604
4X4NJ	48,114	W1CF	7,917
YV3AGT	47,679	N9NB	7,728
YV1OB	45,584	K6SE	7,500

Multi-Operator Single Transmitter		Multi-Operator Single Transmitter	
FY0GA	7,617,235	K5RC	3,221,384
KD7P/KH2	4,487,665	K1ZZ	2,773,744
EA3VY	4,053,000	K1RX	2,492,475
5H3BH	4,036,290	N4AR	2,445,534
HZ1AB	3,913,525	W3BGN	2,349,839
OK5R	3,656,054	W8UA	2,147,508

Multi-Operator Multi-Transmitter		Multi-Operator Multi-Transmitter	
EA9CE	9,170,984	N2AA	6,315,520
N2AA	6,315,520	W3LPL	4,646,621
YU1EXY	5,529,092	K6UA	4,217,924
W3LPL	4,646,621	W3GM	3,500,928
JA9YBA	4,470,165	W0AIH/9	1,723,711
K6UA	4,217,924	N4ZC	1,198,449



Another 160 meter super effort from Charles, YV1OB, in his tent operating location.

European openings that lasted all through the night to finish above the old mark in that order. YX5A topped the pack worldwide with 696 K, a new South American mark. DK3GI and UP3BA/UF were next, each setting a new Continental mark for Europe and Asia. Randy, KH6XX set the fourth continental record with a 427 K score from Oceania.

In his first try outside of the home QTH, UP2NK managed to top the field on 80 worldwide with a fine 283K score, a new Asian record. He was trailed by Sam, UA9AN, from UZ9AWZ with 250 K, and UH8EAA with 210 K for a Russian and Asian sweep of the top 3. HA8KQX finished fourth by less than a 600 point margin, but managed to capture the new European record on 80. W1FV topped the competition on 80 in the States, with just under 100 K. He was closely pursued by Steve, AA6AA, at 92 K. Your Director, a long-term West Coast operator, is speechless over the thought of 60 countries in one weekend on 80 from California. Unless you have operated from W6 land, you'll never ever know how tough that is. Congratulations, Steve.

The low-band activity was phenomenal on 160, with many scores over 30 K this year, a score that would have seemed virtually impossible just a few years ago for all except the anointed. LZ1KDP set a new European standard with 78 K on the low band, with fellow countryman LZ2CJ second at 60 K. The rest of the top four included HB9AMO, narrowly edged out for second, and 4X4NJ. YV3AGT topped YV1OB for fifth place. K5UR was way out in front in the USA with a USA record high of 28 K. K1ZM was second at 19 K.

Club and Team Contesting

The club competition was heated again this year, with Frankford Radio Club narrowly edging out arch rival Yankee Clipper Contest Club by 74 M compared to 71 M. The Southern California Contest Club was a distant third with 38 M. In the DX Club category, the Bavarian Contest Club put on a well-organized team effort, with most of the scores coming from the home front. Their 12 M put them on top, with the Kaunas Institute finishing second at 9M+. We would like to emphasize to all those interested in the club category that it is important that all logs from the clubs be clearly marked with the name of the club. Also, be sure your club sends a list of members and their claimed score. Inaccuracies in the club score total are most often caused by the absence of the right data.

As mentioned earlier, the team contest category seems to have encouraged some activity—particularly among the FOC crowd. However, the "Downhill Contesting Team," a

CW TROPHY WINNERS AND DONORS

SINGLE OPERATOR, ALL BAND
World
EA9KF (Opr. Jim Neiger, N6TJ)
Donor: W2AB Memorial

World QRPP
Robert D. Epstein, K8IA
Donor: Gene Walsh, N2AA

World—Most Contacts
9Y4VT (Opr. Richard J. Norton, N6AA)
Donor: KV4AA Memorial (14270 KHz Group)

USA
Lewis Tompkins, N2LT
Donor: Frankford Radio Club

Canada
Reginald Brearly, VE2AYU
Donor: Canadian DX Association

Europe
CT1BCM (Opr. Martin Laine, OH2BH)
Donor: Ed Bissell, W3AU

Africa
Chris Burger, ZS6BCR
Donor: Gordon S. Marshall, W6RR

Asia
VS6TA (Opr. Paul Newberry, N4PN)
Donor: Japan CQ Magazine

Japan
Toshio Takahashi, JA1BWA
Donor: Japan Crazy Contesters Club

Oceania
Peter W. Watson, ZL3GQ
Donor: Maui Amateur Radio Club

SINGLE OPERATOR, SINGLE BAND
World (14 MHz)
Jorge Bozzo, LU8DQ
Donor: W2JT Memorial (NJ DX Association)

World—3.5 MHz
A.K. Krigzde, UP2NK/UF
Donor: Fred Capossela, K6SSS

World—1.8 MHz
LZ1KDP (Opr. Goshko Vodenitcharov, LZ1ZF)
Donor: KP4ES Memorial (Chip Margelli, K7JA)

USA (7 MHz)
David Busick, N5JJ
Donor: Northern Illinois DX Association

Canada (7 MHz)
Yuri Blanarovich, XN3BMV
Donor: Canadian Amateur Radio Federation

Caribbean/Central America
TE1C (Opr. Carlos Fonseca, TI2CF)
Donor: DX Club of Puerto Rico

Australian—14 MHz
Ditmar Kiesewetler, VK2APK
Donor: Jay Carr, W6FAY

Japan—21 MHz
Kazunori Kuroki, JR6EZE
Donor: DX Family Foundation

MULTI-OPERATOR
SINGLE TRANSMITTER
World
FY0GA (Oprs. N6DX, N6ZV, N6VI, FM7CD, FY7AN, FY7CM, FY7YE)
Donor: Anthony Susen, W3AOH

U.S.A.
K5RC (Oprs. K5RC, NA5R, K5GN, KN5H, W5VAH, WA5ZVE, N5EA, K5GA)
Donor: Doug Zwiebel, KR2Q

MULTI-OPERATOR
MULTI-TRANSMITTER
World
EA9CE (Oprs. EA9GJ, EA9HE, EA9HY, EA9IE, EA9JL, EA9JV, EA9KF, EA9KN, EA9KQ, EA9LD, EA9LZ, EA9MO, EA9PB)
Donor: Hazzard Reeves, K2GL

U.S.A.
W3LPL (Oprs. W3LPL, A13M, KC8C, KF3P, KT3Y, N2FB, W3FG, WD4AXM)
Donor: Jim Rafferty, N6RJ

Europe
YU1EXY (YU1EA, YU1EW, YU1FW, YU1MSK, YU1PKC, YU1PDF, YU1RL, YU1RS, YU1UU, YU3IW)
Donor: OH DX Ring

CONTEST EXPEDITIONS
World Single Operator
David Hawes, N3RD/VP9
Donor: Yankee Clipper Contest Club

World Multi-Operator
5H3BH (Oprs. SM0AJU, SM0DJZ)
Donor: Bill Schneider, K2TT

SPECIAL SINGLE OPERATOR COMBINED
SSB/CW
World—All Band
Doug Grant, K1DG
Donor: John Knight, W6YY

World—Single Band
Franklin Brooker, 9Y4VU
Donor: Yuri Blanarovich, VE3BMV

CLUB
World—SSB/CW
Frankford Radio Club
Donor: CQ Magazine

SPECIAL CQ MAGAZINE PLAQUES
9Y4VT (Opr. Richard Norton, N6AA)
VE7WJ (Opr. John Kiesel, KE7V)
N2AA (Oprs. N2AA, K2BQ, K2GL, K2NG, K2SS, K2TT, K2TW, K2UR, K3EST, K5NA, KC2X, KR2Q, KU2M, W2RQ)

team consisting of N6AA, N6TJ, N6XX, OH2BH, and OH2MM, just creamed everyone by sending off all 5 members to great spots on 5 different continents. As 9Y4VT, EA9KF, XE2MX, CT1BCM, and YB0ARA, these guys bullied there way to 18 M points, far ahead of the crowd. The FOC submitted four entries, but only three of the teams qualified, with

Team A (G3FXB, G3MXJ, G4BUE, OZ1LO, and ZL3GQ) taking second place with 7.1 M.

Disaster Strike

It was bound to happen sooner or later. Unfortunately, it happened this year. As a volunteer group, the CQ Contest Committee is spread out over the country, and this neces-

sitates that we ship the logs twice—once from CQ to the Director in charge, who opens and sorts them and tabulates the high-claimed scores; and second, to each of the log checkers by the 13 categories. One of the boxes of contest logs was lost by the carrier in transit from the Director to the log checker. Specifically, the box of W4, W5, and W6 logs never got to their destination. After months of effort to trace and locate the shipment, we concluded that all was lost. Fortunately, as all logs are received by the Directors, the call, category, and score are recorded. Thus, we were able to construct the results for the entrants whose logs were missing on the basis of their high-claimed scores. After giving up on the carrier, every effort was made to collect the complete

line scores. We are indebted to the many stations who cooperated with us in our attempt to do this, and our apologies to those who didn't get the word. If your line score is not listed, please forgive us for the inconvenience.

For The Record

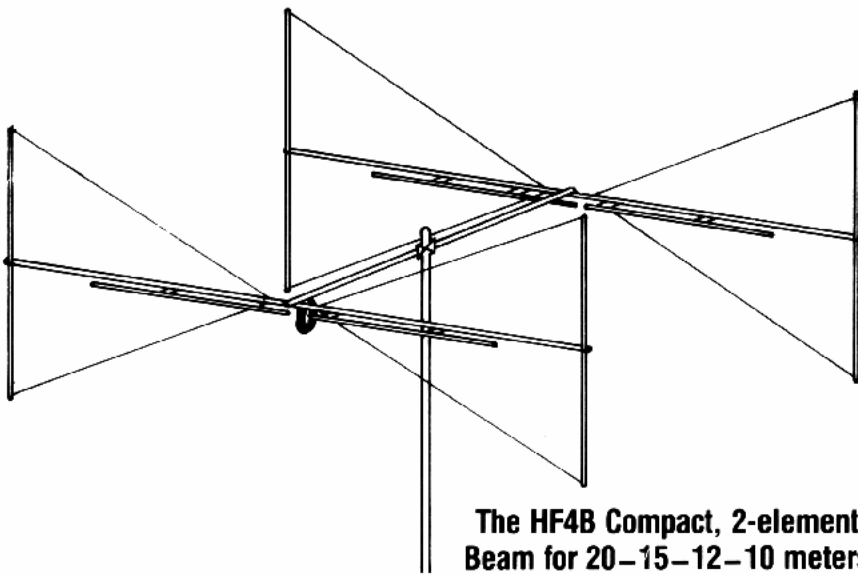
For several years now we have been harping on the duplicate issue. Nevertheless, we continue to see the problem. People who should know better still leave duplicates in their logs, and neglect to fill out and send in check sheets with their logs.

Perhaps they ask whether it is fair to disqualify an entrant who works hard all weekend during the contest just because he leaves "a few" duplicates in the log. Let us emphasize



Station 4U1TU was put on the air this year by K1CC, a welcome European multiplier.

Introducing the BUTTERFLY™ Beam from Butternut!

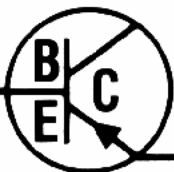


The HF4B Compact, 2-element
Beam for 20-15-12-10 meters

Compact Size

The HF4B's 12½-foot elements and 6-foot boom are ideal for home-station use and for weekend retreats, condos, apartments and other places where oversized beams are prohibited. Its light weight (17 pounds) means it can be turned with a tv rotator, yet it is robustly constructed in the best tradition of our world-famous Butternut verticals.

See your authorized
Butternut dealer



BUTTERNUT ELECTRONICS CO.

405 East Market Street
Lockhart, Texas 78644

Please send all reader inquiries direct.

Performance

The HF4B BUTTERFLY™ has not sacrificed performance for compactness. Its unique design with fanned elements and L-C circuits avoids use of power-robbing traps yet provided high-efficiency operating on all bands. The BUTTERFLY™ outperforms anything in its class.

The HF4B offers an SWR of 1.5:1 or less at resonance. Its 2:1 bandwidth is 200 kHz on 20 meters, 450 kHz on 15, 1.7 MHz on 10, and across the entire 12 meter band. And it will handle the legal power limits both CW & SSB. Gain is at least 3 dB on 20, 4.5 dB on 15 and 5 dB on 10 & 12 meters. Front-to-back is up to 18 dB on 10, 12 and 20m, and up to 15 dB on 15m.

the other side. Is it fair to award someone who edges out a competitor by less than the point value of those duplicates? Those who lost in a tight one need assurance that their hard work and effort are rewarded and not someone else's sloppiness. The CQ WW Committee has a duty to preserve the integrity of the contest accordingly. Yet, each of our committee members is inundated with several hundred logs in each category. Time and workload preclude us from dupe-checking each log thoroughly. So, when we find a log that has a duplicate, our only recourse is to come down hard, and that's what we do. For the first 1%, the penalty is 3 QSO's for every duplicate. Up to 3%, the penalty is 10 QSO's for every duplicate. Above 3%, it's goodbye.

It is amazing that anyone would spend the time planning, traveling, and operating in some of the remote locations and then refuse to spend a few hours checking the log afterward. That is part of the game, and if you don't play the whole game, you may not finish at all. Take the time to check your log. Even if you do it during the contest, check it again afterwards. If you hate it so much you just won't check it, then avail yourself of one of the computer checking services. In any event, if you're serious enough to want to compete and be considered for an award, then you must accept the responsibility for the checking and for meeting a submission deadline.

There's a rash of disqualifications this year. Some of them would have been super efforts even had they been checked, but, they were each properly checked. What a shame.

Thanks Due

Our thanks to all who helped in the assembly and processing of this year's results. Our committee members include Frank, W1WY; John, K9DX/6; Terry, N6CW; Rick, N6ND; Dave, K2SS; John, K1AR; Ed, N3ED; Fred, AD6C; Jan, N6AW; Glenn, K6NA; Jim, W7EJ; Gene, N2AA; John, K2VV; and Doug, KR2Q. Their work and dedication are appreciated by us all.

Our thanks as well to all who participated in expeditions. Their activity gave all of us additional multipliers and fun. The calls we can thank are N6XX, N6AA, N6TJ, N3RD, WA3LRO, N4KR, N4PN, W6SZN, KD7P, JE1JKL, K1CC, K3UOC, K2KTT, UP2BM, UP3BA, UP2NK, OH2MM, OH2BH, OH2BAZ, VE3DAP, KA2DIV, FY0GA, GJ0AAA, VP2VCW, HZ1AB, 5H3BH, W8ZF, and others who put time, money, and sweat into making the contest special for all of us.

It's about time for George to appear again for the 1985 Contest. Good luck with that SU, George, and 73 to all.

Larry N6AR, and Bob K3EST

BAND-BY-BAND BREAKDOWN—TOP ALL BAND SCORES

Number groups indicate: QSO's/Zones/Countries on each band.

WORLD TOP SINGLE OPERATOR—ALL BAND

Station	160	80	40	20	15	10
9Y4VT	133/8/16	533/20/57	981/23/62	1219/29/75	1186/24/71	233/20/35
EA9KF	155/9/43	539/14/55	825/19/68	1182/29/71	1096/24/72	38/14/20
N3RD/VP9	73/5/9	336/14/44	1064/21/61	1192/28/82	1188/24/76	44/6/6
CT1BCM	166/8/37	380/19/64	742/21/66	712/30/72	1043/27/72	65/18/33
4V2C	37/6/9	416/22/55	1000/30/68	1024/30/60	1192/24/57	44/5/6
ZL3GQ	19/10/10	160/22/41	420/21/47	554/27/62	1176/28/68	250/16/27
YB0ARA	5/3/4	183/21/31	455/27/62	845/33/73	851/25/66	34/16/23
FM/W6SZN	12/4/5	480/15/47	1192/20/61	293/19/49	944/21/55	203/8/8
EA2IA	5/2/5	588/16/54	710/20/75	998/28/76	736/26/75	4/3/4
N2LT	19/5/11	107/18/49	413/32/87	683/34/92	468/24/77	13/6/9

WORLD TOP MULTI-OPERATOR SINGLE TRANSMITTER

FY0GA	148/13/41	420/18/57	1425/27/84	1303/35/84	1695/25/78	127/13/24
KD7P/KH2	61/11/11	428/24/34	895/32/60	619/35/81	1097/32/72	275/25/38
EA3VY	90/11/52	332/16/66	1354/24/81	1076/29/81	926/27/77	24/12/24
5H3BH	3/2/3	29/12/18	394/26/57	1279/33/90	1477/28/85	104/16/45
HZ1AB	107/9/32	319/10/38	1053/30/82	697/29/71	685/29/84	136/17/44
OK5R	151/8/50	701/23/77	880/31/97	813/35/98	460/34/89	34/12/32

WORLD TOP MULTI-OPERATOR MULTI-TRANSMITTER

EA9CE	451/9/57	1065/16/61	1578/21/73	1679/32/78	1381/21/65	156/12/43
N2AA	140/17/48	295/23/77	1239/38/103	1126/37/122	591/28/89	97/14/24
YU1EXY	390/11/48	1020/23/73	1167/29/92	1424/35/104	600/33/98	100/15/35
W3LPL	57/11/28	223/21/70	932/36/108	748/36/109	704/27/100	60/17/26
JA9YBA	14/6/6	395/27/55	1117/33/88	1215/37/96	516/31/68	44/15/21
K6UA	134/11/16	396/24/48	923/34/93	900/37/104	508/28/68	126/17/28

USA TOP SINGLE OPERATOR—ALL BAND

Station	160	80	40	20	15	10
N2LT	19/5/11	107/18/49	413/32/87	683/34/92	468/24/77	13/6/9
WABYVR	26/7/16	147/23/55	267/34/76	576/36/85	424/27/75	24/11/14
K1DG	24/9/15	137/20/54	372/31/81	424/31/83	444/23/74	28/13/17
K10X	15/6/7	94/16/51	410/33/78	447/32/87	440/26/86	22/11/14
W1KM	20/8/14	227/19/64	258/29/71	390/33/83	406/26/74	17/9/12
W4RX	39/9/20	107/17/43	346/32/78	334/35/89	398/27/78	31/15/22
K1EA	7/4/4	118/17/45	305/30/70	597/28/79	372/24/76	22/12/14
N4WW	20/8/13	99/15/46	365/31/67	378/35/83	430/26/77	31/12/17
W1RM	3/3/3	126/2/59	179/30/80	400/31/91	416/27/78	21/12/14
K3WW	9/6/7	118/20/52	281/31/78	423/31/85	355/22/66	15/11/12

USA TOP MULTI-OPERATOR SINGLE TRANSMITTER

K5RC	24/13/22	178/26/60	853/35/99	443/35/108	448/30/80	52/21/33
K1ZZ	29/9/18	145/17/53	413/31/88	641/33/102	540/27/87	27/13/18
K1RX	9/5/5	103/22/61	491/35/99	759/35/98	377/26/82	21/14/19
N4AR	33/12/26	109/22/62	439/37/110	604/36/98	388/28/79	23/15/21
W3BGN	43/14/30	113/19/58	355/35/92	649/34/95	408/27/84	26/14/21
W8JA	28/8/21	117/21/52	375/34/83	635/34/94	337/27/86	27/13/20

USA TOP MULTI-OPERATOR MULTI-TRANSMITTER

N2AA	140/17/48	295/23/77	1239/38/123	1126/37/122	591/28/89	97/14/24
W3LPL	57/11/28	223/21/70	932/36/108	748/36/109	704/27/100	60/17/26
K6UA	134/11/16	396/24/48	923/34/93	900/37/104	508/28/68	126/17/28
W3GM	95/17/43	226/23/69	563/34/100	748/37/102	438/26/87	51/14/24
W0AIH/9	76/8/10	215/23/53	257/32/74	622/34/87	271/26/68	61/13/21
N4ZC	—	40/14/25	456/35/88	338/29/69	274/25/69	14/7/9

DX QRM

This was my 43rd CQ Contest, and I really enjoyed staying on 40 for the first time. Nothing comparable to the mid 60's... UA9AN. 160 meters—wow!... FY0GA. Lost a pair of 930s, but still put zone 27 in a lot of logs via the incredible long paths on all bands... KD7P/KH2. Antenna was apartment dweller's special at 320 ft... W3HHB/KH6. With only 2 operators and 2 log keepers, a power failure, high power line noise and limited experience (our 2nd contest) we managed to survive the dogpiles and the weekend... V13WI. The first CQ WW from a new location... YZ2CRU. This is our first multi-multi... JG1ZUY. Age 14—used no electronic or memory keyer, only "classical pump"... OH2BSS. Moved house just a few weeks prior to the contest; great to test performance of the new antenna in the premier operating event of the year... OH2BN. I am a schoolboy now in electronic middle school, age 19... SP4EEZ. Missed at least 50 QSOs and a couple of multipliers on 160 because of my CW... LZ2CJ. To the NH6J—rough copy and I think maybe I didn't make it, huh?... YU7AD. My company gave me two days off to prepare for the contest. On Monday everybody asked me what place I won... YU7AF.

Next year with a better antenna... OK1DMA. Very strong wind (about 140 km/hr.) partly destroyed my antennas... OK1AWC. WAC on 160 in 19 hours, 43 minutes YV1OB, W1RR, EA9CE, 4X4NJ, HB9AMO, and VK6HD... OK1DFF. Super 40; poor 10... OK5R. Much trouble with the antennas and electricity due to frost and a wind of over 160 km/hr!... OK1KSO. Our best score in this contest—many thanks for the contest... OK3KI. 40 and 80 were terrific... OZ8JYL. Our first time in the CQ WW and had a great time... G4OTU. Don't leave testing of new equipment and antennas until 4 hours before the contest... OH2BR. 22 years since my last contest... OH2AI. You'll never fall asleep if you drink the tea the chief operator gives you... DL0IU. A storm 2 days before the contest damaged our tribander, so little activity on the HF bands here... GU3HFN. N2AA was the loudest signal from North America on 80 and 40 all the time... G3VBL. Our 4th visit to the Channel Islands for the contest. The new club call helped to keep stations calling... GJ0AAA.

Enjoyed our 3 week trip to Malta with 18,000 QSOs CW only... 9H3DI. Very fine contest, but bad conditions on 10 and 15... PA3CEF. Too much trouble for 48 hours... YZ4Z. Excellent propagation, good activity... HA8KQX. Pileups on 40 were great... C53J. First all-band effort; will be back bigger and better next year... ZS6BCR. It would be nice to operate from the East Coast... VE7BS. No more Yagis. Couldn't get through to YB, DX1, etc. Back to loops in 1985... XN3BMV. Several power failures didn't help the QSO count... 9M2RT. Must be a long time since ZC4 was on in the contest judging by the ops who asked "4CZ?". Credit to the West Coast USA ops who got the call the first time... ZC4CZ. It was so hard to work Europe from this side of the World... NH6J/NH8. First serious effort for 8 years... ZL3GQ. 1.8 MHz from equatorial countries is hard... P29PR. After 25 years of CQ

WW DX contesting, this was my first DXpedition... UP2NK/JF. FY0GA was very strong in Asia on 160... UA9CBO. Thanks to CQ for this great contest... UA9AB. First time seriously from Europe as single op, modest station, and no conditions. Still, a record is a thrill!!... CT1BCM (OH2BH).

At whatever QTH I work the CQ WW, every year there is a storm that brings down the antenna (this year 40 M)... DL8MBS. The amplifier had to be turned off after 6 hours of operation because a neighbor's doorbell rang when I used it... DK3GI. Not good propagation on the upper bands, especially 28 MHz... EA2IA. Just wanted to look for DX stations, but got hooked... EA5CF. It is impossible for a little station to find a hole in the band for a call... ED1CI. After years of contesting on SSB, this was my first try at CW. All I can say is BEAUTIFUL... EA6GP. Very enjoyable contest, as always... EI4DW. East coast USA automatic keyers sure does raise the QRM level... EI3DP. Propagation fair, but no JAs... EI1DH. Despite the high winds on Saturday, my tower stayed up this year... G4BUE. 100 watts, 3 element Yagi, and 12 beers... F6AUS. The contest was great, but the logs are sure a lot of trouble... G3VMW. Most pleasant happening to find 15 open... G3ESF.

Very tiring on my first attempt ever... G4UOL. I realize I'll probably come in on the bottom with my entry, but who cares when I had so much fun... G3URA. California at 0957 on 40 (K6NA)!... G4IUF. Heard the first W break through Europe at 2332 on 3.5 MHz—finally worked him at 0153... GD5AVF. Last time I won the GM certificate was in 1957... GM8SQ. CW is a real pleasure for me; it's a kind of an art... HB9CWA. It was great fun working a pileup never possible from my home QTH at SP5EXA... JW0EQ. I like the everyone works everyone format... LA0EH. High speed Arctic flutter makes copy difficult... LA9ZV. TVI problems, a party, and a hangover... LA9GY. Highest multiplier I ever had... OZ1LO. Most expeditions only give their call signs every 5 minutes... OZ8AE. DX only heard during sun up/sun down passings... OZ8CT. Every year the biggest contest... PA0TA. Conditions poor on 160, but proud of my 58 countries... PA3BFM. Three more new ones added to QRPP DXCC... OK1KDR. Funny how little difference QRP or QRO really makes in a contest... PA3BUD.

USA QRM

Greatest fun is meeting old friends—the camaraderie of a group contesting together... W3BGN. I survived another one... W4OO. JA's on 40 at 0430—the stack must work... K5RC. Single op keeps you busy... K3WW. Finally a chance to work the contest from the East Coast... N4WW (N6AR/4). I sure miss 28 MHz... K3LR. Take two aspirin and call me when the sunspots are back... K1AR. Power went out at 1306Z Saturday when a drunk driver knocked down a pole—it hurt me more than it hurt him... W1KM. Of all of the Friday nights of the year, why did my thrust bearing freeze up on this one... K1VR. Worked country number 100 on 160 M... W1WAI. Using a C-64 computer for

logging. Keyboard locked up and wiped out all the QSO information between 0400 and 1900Z on November 25 . . . *W1OR*. Strangest QRM problem—K1GQ's German Shepherd had 8 pups . . . *K1DG*. And I thought conditions were poor last year . . . *W1HUE*. WAC called me in 6 minutes . . . *K2VV*. Too bad the following stations on 80 M, all Q 5, couldn't hear the 6's calling them—UH8EAA, UR1RWX, ZL2JU, ZL1KVV, UP2NK/JUF, YU1EXY, LZ1KAA, SK6JA, LA4PCI . . . AA6AA. Listening to 6's working JA's on 160, and can't even work the 6's . . . NA2Q.

With only 5 watts, this was a very long contest . . . AA2Z/1. Weird conditions—worked many Europeans long path . . . N3RS. My first Russian Roulette Contest—the wind blowing my free-wheeling beam . . . W1PL. Ten often open, but no activity . . . W7IR. Biggest thrill is pulling weak DX through loud W's calling CQ . . . W7FGT. Almost no Europeans heard on 21 MHz in Pacific Northwest . . . KE7C. If conditions get any worse, next year's log will fit on a postcard . . . KU7M. Or, it may come from Dr. DX . . . KO7G. In 1981 worked 162 USSR stations; in 1984 worked 23 of them . . . K7ZA. Can't wait till 1989 . . . K8NZ. Had several brief openings on 10 M to snag the countries I needed . . . W8WPC. Forty was really alive . . . W8UVZ. It was fun sharing the rig with my son, KA9QYA; his first contest . . . K9BQL. Wish more DX stations would work spit on 80 . . . W9RN. Let's swap CW and SSB weekends every other year so the CW gang gets a shot at the usually better October propagation . . . W0WP. How about a low band category? . . . ABØX (ed.—the ARRL tried it). Like the new log forms . . . W0JU.

Station Operators

Multi-Operator, Single Transmitter

AG7M & KW7Q. AK1L & KA1FBY. KA1X. KC1X. DFØAFZ: DL3ZI, DL2ZAE, DK1D0, DJØGN, DL4FBZ, DL5FQ. DFØBV: DJ1OJ, DL/LX111, DL7MAF. DL1MAJ & DL5MAE, DK20Y, DL4MAH, DL5MBO. DL3HAH: DF4XG, DL1HBT, DL2HAA, DL2HCB, DL3HAH, DL3HBS. DLØER: DK7FP, DJ2LA, DJ5GN, DF5EN, DL6EAD, DL5EBN, DL9XY. DLØIU: DK7AIH, DK8AG, DL4AAE, DL4AAE. DLØLR: DJ2PT, DL8RE, DJ2GW, DJ3ZX, DF4WV, DF4WY, DF4PA, DF4PB, DF4PM. DLØWN: DA1PG, DJ1MU, J22RH, DJ9CB, DJØLC, DF5ZP, DK6ZG, DK8FK, DL1AO. DX1A: DU1RU, DU1TW, DU1US/DU. EA3VY & EA3LL, EA3KU, EA3AIR, EA3AVV, EA3DXD, EA3EEE, EA3FER. EA6URP: EA5D0, EA6DI, EA6EJ, FA6FG. ED7BB: EA7TH, EA7CFW, EA7BU, EA7FA, EA7FI, EA7CEC. F3TV: F6ARC, F6BEE, F9IE. F6ENV & F6DUR, F6BGY, F6FYA & F6KEQ, F6ERS. F6IGF & F6UB. F6IWW & F6BYJ, F6AWN. FYØGA: FM7CD, FY7AN, FY7CM, FY7YE, N6DX, N6VI. N6ZV. G4ØTU & G4XFB. GJØAAA: G3SXW, G3TXF, G3WVG. GU3HFN: GU3MBS, GU4WRP. HA1KRR: Sandor, Jozsef, Zsolt, Janos, Jozsef, Janos. HA2KMR: Jozsef, Attila, Gabor, Csaba, Janos, Laszlo. HA3KNA: HA3FTA, HA3OV, HA3OU, HA3NS, HA3NU. HA5KDY: Miklos, Artur, Bela. HA6KNX: JØzsef, Gyula, Zsolt, Nandor. HA7KMP: Tamas, Janos, Alexandros. HA8KCK: HA8FK, HA8DZ, HA8DT, HA8ES, Marko, Attila. HA8VKV: Laszlo, Jozsef, Laszlo. HA8KWG: Kezelo, Sav, Ado. HB9AJ: HB9AQF, HB9COC, HB9COF, HB9BWN, HB9CRP, HB9CJR, HB9CBT, HB9OL, HB9BEL, HB9CTU, HB9CIC, HB9CJL, HB9CYK, HB9CCT, HB9JH. HB9ØXQ & HB9AKW, HB9BRJ, HB9BUN, HB9CKM. HG1S: Fyula, Otto, Laszlo, Tibor, Laszlo, Islucan. HG5A: Peter, Laszlo, Tamas, Peter, Sendir, Manozsan. HG6N: HA6ND, HA6NY, HA6ON, HA6NQ, HA6DQ, HA6NF. HG6V: Laszlo, Geza, Sandor, Peter, Jozsef, Zoltan. HG7B: HA7UX, HA5WA, HA7UG, HA7UO, HA7SH, HA7UL. HG9R: HA9PP, HA9PV, HA9RB, HA9RP, HA9RU, HA9RX. HZ1AB: G4WZ1, K2XR, W7KJ, W7SE, WA8MOA.

JA1YAD: JØ1H.K, JR6JØE, JH7UCC, JH9ADA. JH1YDT: JH6UUN, JHØNN, JP1AIE, JH4UTP, JK1UPX, JØ1HSX. JA1YNE: JA1VNA, JA6ØG/1, JE3PTA/1, JH4VBO/1, JH3ØYD/1, JA4WØV/1, JA7IHR/1. JA1YXP: JL1ROT, M1AQU, JF2PPA, JJ1ØHZ, JJ2DLE. JA1ZKL: JI1RKH, JI1ØBI, JK1JHU, JK1KIK, JL1DCA, JP1CZE, JM1WZP, JJ1VFE. JA2YKA: JJ1BTA, JJ1BTC, JH2ØXG, JR2ØMG, JE2JCV, JE2TEM, JE2VYM, JF2DQJ, JF2LTH, JS2MTC, JG2VTD, JI2JXR, JI2NPL, JG3ØFT, JI3DL, JA9SSJ, JA9XXS. JA5YAV: JA5MVU, JR6JZF, JH5PHC. JA7YAB: JJ1NNJ, JR7CDI, JR7VMF, JA8-3440. JA7YFB: JI1GKY, JN1RØK, JR7GYC, JR7JLU, JR7LØI, JR7ØEF, JR7ØYV, JR7RBL, JE7MOY, JH7XMO, JH7XU, JHØØT. JA7YFH: JH7SFR, JE7HXC, JR7LØL, JR7ECK, JE7HMC, JR7MRQ, JØ1HBF, JE7WØH, JE7JWU, JE7RCC, JE7XTQ, JR7MPT, JG2XUR. JA7YRR: JA7CLN, JA7JUD, JA7MØQ, JA7ØZV, JA7LBY, JH7VHZ, JR7LVA. JA8YAU: JR7ØUO, JH8ØX1, JH8ØQZ, JH8NFQ. JA8YBY: JG1RVN, JE3XWH, JG3ØVR, JR3MGM, JH5ØHJ, JR8DØB, JH8KJW, JA3ZRT/JØ1, JE3MAS, JH4PAM, JL3TLC. K1RX & KØ2M. K1RU. KF1V.

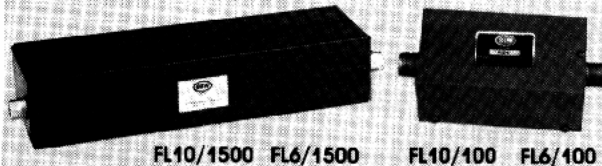
K1XM & K1PR. KØ1F, N1RC. K1ZZ & K1TO. K3KG & K4BAI, K4FJ, N4KUJ, V4TX, WANL. K5LZD & K2TNO. K5TU, KA5SBS, KE5IV, N5M5, W5SRUS. K5RC & K5GA, K5GN. K2NH, N5EA, N5AS, W5VAH, W5ZUE. K5RR & K5K, N5K. K5RX & N5RZ. K6TO & W6TBC. K6ZM & AK6T, N6BL, KØRWL & KØFPC, KØSCM, KØUAA, KØVBØ, KØLØ, NØCIS, WØFI. KØ3MM & N3ARK, WØ3FI, WØ3LØ, KØ5DX & N5SE. KØ7P/KH2 & KØ6ØX, KJØW. KH6SP: AH6FS, WØ3HVS. WØHHG/KH6 & KH6DD. KM1C & KØ1T, W1PH, W2IQD, W8B8TH. KØ2D & K2BK. KR1R & KS1N. LX9BV: LX1WV, LX1JP. LZ1KAA: LZ1JW, Stoyanov, Ivanov. LZ1KAP: Glushkov, Tedfilov, Ganchev. LZ1KBL: Keremidchiev, Miladinov, Mirov. LZ1KKI: Vasiliev, Rabadjiski. LZ1KMC: Kostov, Iliev, Ivanov. LZ1KRB: Kirov, Grudov, Nedialkov. LZ1KRC: Kostakiev, Pavlov. LZ1KTM: Hristov, Kirilov, Ivanov. LZ2KCS: Svetla, Toma. LZ2KKK: Kalajdziev, Georgiev, Diamandiev. LZ2KTS: LZ2HE, LZ2PO, LZ2CC, LZ2DF, LZ2UA, LZ2LZ, LZ2E41, LZ1A31Ø2. N2RM & W2HGM, KØ3TN. N4AR & K8CC, W8KIC, K4FU, N4TY. N4KG & KØ4ZV, WZ4F. N6IC & KØ6SKW, N6DZG, NY6Y. Sharon. N6VR & W6FVG, NS6X, ACET, N6MA, N6ADI, AC6I. N9WA & KØ9SLM, WØ9GYX, NØØE & KØØPZ, WØKFA, WØRSC.

ØE3GBB & ØE3GEA. ØH1AA: ØH1CO, ØH1DL, ØH1JD, ØH1JR, ØH1WR. ØH2AI: ØH2BØF, ØH2BJM, ØH2AQ: ØH2BØI, ØH2BØU, ØH2BØV, ØH2LØ, ØH2BR & ØH2BAD, ØH2VY & ØH2JA, ØH2BEJ, ØH2BEN, ØH2BHP, ØH2BØS, ØH2BVI. ØH5NØ & ØH5NG, ØH5KS, ØH5LF, ØH5IQ, ØH5ØD, ØH5ØE, ØH5ØU, ØH5ØT. ØH7AB: ØH7UE, ØH7RS, ØH7JR, ØH7X1, ØH7TØ, ØK1KIX: ØK1AID, ØK1MEY, ØK1MWI. ØK2KØØ: ØK2BVI, ØK2PAA, ØK2MMW, ØK2DØV, ØK3KIL: ØK3CEI, ØK3CAW, ØK3CTL, ex-ØL8CØI. ØK3KØS: ØK3-2779Ø, Alena. ØK3KTØ: ØK3CES, ØK3TEV, ØK3TFC, ØK3RJB: ØK3TCL, ØK3CØD, ØK3ØR, ØK3CSB, ØK3TØN, ØK3-2699A. ØK5R: ØK1ADM, ØK1ADS, ØK1ALW, ØK1DIM, ØK1DWA. ØN6BR: ØN4ASE, ØN4ASV, ØN4AYL, ØN5IA, ØN5IG, ØN5VA, ØN5YN, ØN7XN. ØZ5EDR: ØZ1HET, ØZ3GN, ØZ4UN, ØZ7DEN: ØZ1DKE, ØZ1DYI, ØZ7LZ. ØZ8JYL: ØZ1KHZ, ØZ1IMH, ØZ1ØMG, ØZ1JXH, ØZ1FTW, ØZ4ØX, ØZ1DØG, ØZ1KUM, ØZ5XY. PØ3ADJ: PØ8KHS, PØ8NZH, PØ3ØGM, PØ3ØQW, PØ3ØCF & PØ3ØCE, PØ3ØGN, PØ4DØC: PØ3AWW, PØ3BØD, PØ3CJF, PØ3CØU, PØ3DUL, PØØLEØ.

RØ4IXW: Syrovatsky, Ovcharov, Timonin. RØBWF: Vlad, Rinat, Pavel. RØBPL: RA3AA, UL7PAE, UL7PAØ, UL7PAZ, UL7PBE, UL7PBY, UL7-Ø23-434. SK2AU: SM2BØE, SM2DØS, SM2JUR. SK5AA: SM5FUG, SM5AØC, SK5EU: SM5GLC, SM5AØD, SM5ØDØ, SM5LZM. SK6JA: SM6AØU, SM6ØER, SM6DØI, SM6SØØ, SM6FYJ. SK6RR: SM6CVT, SM6LRR, SM6LØW. SK7PI: SM7ØXØ, SM7KNN, SM7KNI, SM7ZFA, SP2ASJ. SP6PAZ: SP6JF, SP6CYX, SP6IGE. SP9ZHR/9: SP9EMI, SP9CTS, SP9NLI. ØB4ØWE: ØB5ES Øleg, Eddy. ØB4IWB: ØB5IHR, ØB5IHW, ØB5IER, ØB4IWR: Timuz, Nick, Ivan. ØB4IJS: ØB5II, ØB5IFZ, ØB5IML, ØB5IOK, ØB5IRM, ØB4LZA: ØB5LEE, ØB5LH, ØB5LSL, ØB5SDV, ØB5-Ø77-1347. ØB4MWA: ØB5MDA, ØB5MØD, ØB5MMR, ØB5MØJ, ØB4MWU: ØB5MWM, ØB5MJS, ØB5MWU, Nick, Igor. ØB4SWM: Vasil, Vasil, Slava. ØB4VVA: Ovcharenko, Guktovoj, ØB4XWB: ØT5ØG, Viktor T, Viktor Y. ØC1AWC: Leorid, Alexandir, Sergej. ØC1AWF: Yuri, Sergej L, Sergej I. ØC1ØWØ: ØC2ØA, ØC2ØEL, ØC2RØ. ØC1WØF: ØC2WØI, Nick, Alex. ØC1WØX: Anatol, Øksoma, Wolsilij.

T.V.I. problems?

Low pass T.V.I. filters from Barker & Williamson



Model	Power (Watts)	Cut Off Frequency	Frequency of Maximum Attenuation	Minimum Attenuation	Frequency Range	Price
FL10/1500	1000	34 MHz	52 MHz	70 db	1.8 - 30 MHz	\$29.50*
FL10/100	100	44 MHz	57 MHz	60 db	1.8 - 30 MHz	\$22.50*
FL6/1500	1000	55 MHz	63 MHz	70 db	6 meter	\$36.00*
FL6/100	100	55 MHz	63 MHz	50 db	6 meter	\$25.00*

All above to match 50 ohm transmitters and antennas.

*Add \$2 shipping and handling

ALL OUR PRODUCTS MADE IN USA



BARKER & WILLIAMSON

Quality Communication Products Since 1932

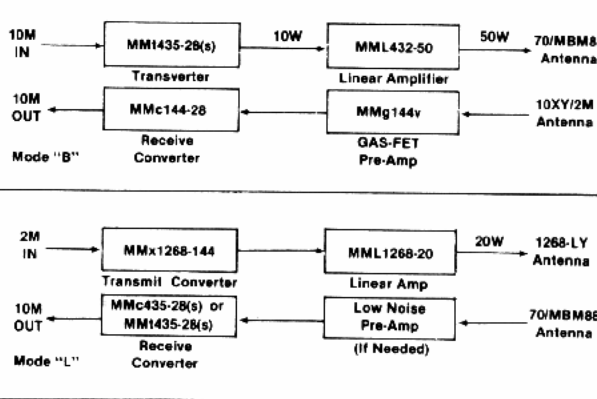
At your Distributors write or call
10 Canal Street, Bristol PA 19007
(215) 786-5581



Please send all reader inquiries directly.

OSCAR SYSTEMS

From Spectrum International



- MMg 144v. \$54.95
- MMc 144-28. 64.95
- MMc 435-28(s). 94.95
- MMt 144-28. 189.95
- MMt 435-28(s). 299.95
- MMx 1268-144. 259.95
- MML 432-50. 199.95
- MML 432-100. 379.95
- MML 1268-20. ask
- 10XY-2M 69.95
- 70/MBM88 94.95
- 1268-LY 49.95

Send 44¢ (2 stamps) for detailed specifications on all VHF/UHF products.

si Spectrum International, Inc.
Post Office Box 1084Q
Concord, MA 01742 USA

UL88WW: UL7BAY, UL7BBB, UL7BCW, **UM9MWO:** UM8MFJ, Kim. **U040WR:** Slawa, Oleg, Alexey. **UP18WG:** UP2BAA, UP2BLE, UP2BZ, UP2DT, UP2DZ, UP2-038-1191. **UP18WV:** UP2BHM, UP2MC. **UP18WV:** UP2BAS, UP2BBM, UP2BJ, UP2MB, UP2PAJ. **UP18XF:** UP2BAI, UP2BON, UP2BIA, UP2BIC, UP2BKH, UP20X. **UP18ZG:** UP2BCD, UP2BCT, UP2BCW, UP2B0C, UP2QA, Gazydykas. **UP28ZD:** UP2BFN, UP2BJQ, UP2BMX, UP2BNC, UP2B0A, UP200, UP3BB. **UP18ZR:** UP2BDW, UP2BJK, UP2B0Q, Daliyda, Matulaitis. **UP18ZZ:** UP2BAW, UP2BIE, UP2BIL, UP2PAJ. **U016GW:** R02GG, U02GDW, U020C, U020I, U02-037-116. **-83. U016GW:** RC2ICD, U02GMA. **U016KF:** U02GFU, Dheyev. **U016GX:** Ziedonis, Mikhail, Vladimir. **UR1RWN:** UR2RKM, UR2TAX, UA3-123-325. **UR1RWO:** UR2-083-1013. **UR2RNV:** **UR1RXX:** UR2RDU, UR2RHF, UR2RNA, UR2RNJ, UR2RNL, UR2RR0, UR2-083-167. **U21AWJ:** Vladimir, Eugeny O, Eugeny Z, Ilya. **U21AWO:** Vladimir, Andrei, Alex. **U21CXA:** RA1AX, UA1AGZ, UW1CX. **U21T7B:** RA1TA, UA1TCW, UA1UM. **U21ZWI:** UA1ZBQ, UA1ZN, UA1ZO, UA1ZV. **U22FWA:** UA2FF, UA2FJ, UA2FM, UA2FX, UA2FZ, RA2FA. **U22FWZ:** Valery, Victor, Serge. **U23AXX:** RA3DUY, UA3AQV, UA3DHW, Ave, Anov, Kav, Oleg. **U23AZW:** Plugin, Kholodkov, Khanin. **U23DXF:** UA3SCN, UV3DN. **U23DXW:** Onischuk, Cheryvakow, Vershinin. **U23OXU:** UA30AY, UV30AK, UA3-121-3176. **U23WWW:** RA3WA, RA3WBY, RA3WCG, UA3WZ, UV3WT. **U23XWM:** UA3XEX, Ali, Serge. **U24AWB:** UA4ABZ, UA4AMT, UA4AMX. **U24AXQ:** Valery, Nick, Alex. **U24FWN:** UA4FFG, UA4FFH. **U24WVB:** Vlad, Andrei, Nick, Alex. **U24WVC:** Shustov, Varmalov, Sabrekov, Plastinin, Nikiforov, Pavlov. **U26AZR:** UA6ABS, UA6BPU, Denis. **U26LXM:** UA6LFO, UW6CE, Yuri. **U29AYA:** UA9ANF, Zaev. **U29AYE:** UA9AMA, UA9A0Q, Chernicov. **U29CWW:** UA9CDZ, Varganov. **U29FWR:** RA9FN, UA4WA, UA9FAL, UA9FAR, UA9FGJ. **U29HWA:** UA9HEA, UA9HFC, UA9HQ, **U29SWY:** UA9SGW, UA9SGT, UA9SH0, UA9SIZ, UA9STS. **U29SXT:** UA9SAC, UA9SAR, UA9SCG, UV9SN. **U29UWK:** R29UZN, U29UEA, UA9ULB. **U29XKW:** UA9XDG, UA9XDM, Eugeny. **U29XWW:** UA9XBD, UA9XHY, UA9XM, Budanov. **U29AWB:** Cuytetz, Kovalenko, Kochkin. **U29CWA:** UA9CB, UA9CEM, UW9CA, UW9CM, Goreli, Svytkovskiy. **U29FWA:** UA9FCA, UA9FM, UA9FFH, UA9FFM, UW9FM. **U29QWA:** UA9QAS, UA9QBB, UA9QDC, UA9QDL. **U29QWE:** UA9QAA, UA9QJ, Alex. **V9ADC:** VA2HZR, ZS6ME, VE2CP & VE2BHC, VE2BLX, VE2FKZ. **VE3S00:** VE3ADP, VE3CRD, VE3E0W, VE3GF, VE3K0Y. **W3W1:** WK2FEJ, WK3BPW, WK3DWB, WK3DWN, WK2KFO. **W02WL:** K3TM, W02AH. **W20W & KB2KW, KI2P, N2HR, NE2W, N6IN, W2U1 & N3KR, W2XL & NA2N, W3BGN & N2BA, WA2ZKY, N3RG, W3NZ & KD3H, W3YFV & K3PPI, W6BJH & net, WA4JXI & WA4SVO, WA4Q0V & WA4QM0, W6B6Z & K6HMA, N6HCS, W8GWC & N8DCJ, W8CZM, W8JGU, W8BDXB, W8RCN, W8NA & W8AR, W8CY, WA0TKJ, WA4JXI & WA4SVO, WA4Q0V & WA4QM0, W6B6ZHT & K6HMA, N6HCS, Y31ZL: Y315L, Y31RL, Y25CL, Y35L: Y23DL, Y26L, Y33VL, Y26BL, Y43ZD: Y43WD, Y25ID, Y57SD, Y44Z0: Y44N0, Y44J0. **Y67ZG:** Y21DG, Y25MG, Y67YG. **Y04KAY:** Y045X, Y04DCY. **Y05KAY:** Y05B0C, Y05AFD, Y05BAT. **Y06KNY:** Y06ADW, Y06DBA. **YT3T:** YU3BO, YU2CBV, YU3EIJ, Bob, Rob. **YU5A:** YU5RU, YU5TU, YU5XNM, YU5XMA, YU5RA, YU5DX. **YU1EFG:** YU1HA, YU1DR, YU1PZM. **YU2CKL:** Antic, YU2UL, YU2RR, Senecic. **YU4E2C:** Mustafa, Nedim, Suad. **Y2ZCR:** Y220G, Y22RD0, YU2MM, Tom. **Y24Z:** YU4WFI, YU4WIA, YU4ECI, YU4WNV, YU4WRW, Ljube, YU4WQR, YU4WIM, YU4FJK, YU4WAW, YU4WTF, YU4WFT, Mario. **4N2D:** YU2R0, YU2WM, YU2FK, YU2LHR, Darko. **4U1VIC:** K7AWD, OE1NJB, OE1ETA, NK4N, OE1JUB, OE1W0W, OE3KAB, OE1GLA, OE30LV. **5H3BH:** SM0AJU, SM0DJZ. **9H3DI:** DF82H, DL1RK, DL1ZO, DF4ZL.**

Station Operators
Multi-Operator, Multi-Transmitter

AA4S & AE4Y, NE4G, W04V, DL0KF: DF3LZ, DF6LH, DF8LZ, DJ2BV, D,2LY, DJ3UL, DJ4FZ, DJ4S0, DJ5AZ, DJ6TK, DJ7SW, DJ8FR, DJ8HB, DL8LD, DK8LE, DK9WV, DL2ZT, DL3LAN, DL3LAR, DL5LC, DL8FY, DL9LS. **EA9CE:** EA5B9A, EA7ALG, EA7DS, EA7TL, EA9ED, EA9EU, EA9GK, EA9GT, EA9HG, EA9JG, EA9KD, **KH6JS & AH6FU, JA2YEF:** JA9XDR, JF2KFA, JF2JGT, JF2ZRH, JF2NFC, JF20HC, JF2SFF, JF2VRV, JG2MPX, JG2PAJ, JI2LPD, J20VF, JR2PVJ, JR2TPD. **JA3YBF:** JA9TOZ, JA9UIZ.

JA9UXW, JE6BXJ, JF3GYI, JF3KKO, JF3PGA, JG3LZG, JH9GRM, JI3KWZ, JI3XBE, JJ3PYI, JR4AGT, JR4IZK, Huruya, Doue, Yamada. JA3YKC: JA2VUP, JA30DC, JE6LPM, JE3PMM, JF3RAL, JG3HJG, JG3HVL, JG3LLB, JH4RHF, JH5EML, JH5ECP, JI3ERV, JI3XTZ, JI3SRU, JK3GRR, JK3HYA, JR4BSM, JR4IMK, JR4PMX, JR6NWN. **JA7YAA:** JE7HLZ, JE7CO, JG3GRM, JH7CUO, JH7HWR, JH0MRP, JJ1MVV, JJ1PEU, JR7PGL, JR7XBN. **JA7YCO:** JE7HYJ, JN1RPG, JR7MZO, H Ikeda. **JA9YBA:** JA9BEJ, JA9LJI, JA9LNJ, JA9NVO, JA9OTX, JA9PPC, JA9QCE, JA9QWJ, JA9THK, JA9UAD, JA9V8W, JH7UJR, JH90YH, JH0CAZ, JH0VUJ, JI35EB. **JA7ZUY:** JE1CKA, JF2IWL, JG11MM, JH7PKU, JI100I, JI2GUT, JM1CAX, JM1RFT, J01NAH, JR4NVJ. **JW5E:** JW5NM, JW6VA, JW6VA, K3ZUF & K7JK, K6UA & K6RF, K6VI, K6RF, KA6SAR, N6AW, N6ND, N6W, W6KUT, W6UQF, W6AGEL, KF3R & N7BJT, W620VC, W62YF, N2AA & K2B0, K2GL, K2NG, K2SS, K2TT, K2TW, K2UR, K3EST, K5NA, KC2X, KR2Q, KU2M, W2RQ. **NL7G & K7P7J, K7LY, N7LP, W7LE, OY6FRA:** OY2H, OY2J, OY3H, OY5NS. **W1BK & A13E, KC10, KV1Y, N1CW, W3LPL & A13M, KC8C, KF3P, KT3Y, N2FB, W3FG, W04AXM, W9A1H/B & W8K8, N80V, W0UC, K0FVF, W0RPP, KB9S. XN3BVD:** VE3BVD, VE3DUS, VE3IV, VE3KZ, VE6OU. **YR6A:** Y03APJ, Y06AKN, Y06AW, Y06AZM, Y06DIK, Y06EZ, Y06HO, Y06MZ, Y06VZ, Y06ZI. **YU1EXY:** YU1EA, YU1EW, YU1FW, YU1MSK, YU1PKC, YU1PSF, YU1RL, YU1RS, YU1JU, YU3WJ. **Y2ZCRU:** YU2CU, YU2PA, YU2RA.

SINGLE OP ZONE WINNERS

Zone	Call	Score	Zone	Call	Score
1	KL7RA	783,863	21	RF6FR	823,004
2	No Entrant		22	No Entrant	
3	VE7WJ	1,389,025	23	No Entrant	
4	WA8YVR	1,928,259	24	VS6TA	1,809,310
5	N3RDV/P9	3,668,256	25	JA1BWA	1,099,280
6	XE2MX	1,465,671	26	No Entrant	
7	HP1XKR	640,226	27	JD1AMA	2,392
8	4V2C	3,205,896	28	V80ARA	2,663,424
9	9Y4VT	5,595,040	29	VK8XX	3,026
10	No Entrant		30	VK2BQQ	490,175
11	PY4OD	680,400	31	KH6ND	1,851,525
12	CE2BFR	47,740	32	ZL3GQ	2,756,467
13	LU8DQ	1,027,860	33	EA9KF	5,014,224
14	CT1BCM	3,295,152	34	No Entrant	
15	OK3CGP	1,957,666	35	C53J	812,352
16	UB5EC	1,271,400	36	No Entrant	
17	UM8MBA	755,326	37	J28EG	8,398
18	UA9ND	263,648	38	ZS6BCR	1,624,576
19	UA0LCZ	469,238	39	3B8DB	155,176
20	LZ1CW	357,294	40	JW0EQ	548,270

LOWEST PRICES!
FAST SERVICE • HIGHEST QUALITY

CABLE AND WIRE
 RG-213 MIL. SPEC., 97% SHIELD 28.5¢/ft.
 RG-214 MIL. SPEC., DBL. SILVER SHIELD \$1.50/ft.
 RG-217 MIL. SPEC., DBL. SHIELD 80¢/ft.
 RG-174 MIL. SPEC., 97% SHIELD 10¢/ft.
 RG-8X (MINI 8) FOAM, 95% SHIELD 12.5¢/ft.
 RG-8U FOAM, 95% SHIELD 24.5¢/ft.
 RG-58A/U MIL. SPEC., 97% SHIELD 11.5¢/ft.
 RG-11A/U MIL. SPEC., 97% SHIELD 27¢/ft.
 RG-59U MIL. SPEC., 97% SHIELD 11.5¢/ft.
 300 OHM KW TWIN LEAD 16¢/ft.
 450 OHM HD LADDER LINE, POLY INS. 10¢/ft.
 450 OHM HD LADDER LINE, BARE, 100 FT. ROLL \$13.00
4 CONDUCTOR ROTOR CABLE 8¢/ft.
6 CONDUCTOR ROTOR CABLE 14¢/ft.
8 CONDUCTOR ROTOR CABLE (2#18/6#22) 16.5¢/ft.
8 CONDUCTOR ROTOR CABLE HD (2#16/6#38) 34¢/ft.
 14 GA STRANDED COPPERWELD, 70 FT. ROLL. \$5.50
 14 GA STRANDED COPPERWELD, 140 FT. ROLL. \$10.00
 14 GA HD STRANDED COPPER 8¢/ft.
 12 GA HD SOLID COPPERWELD 9¢/ft.
 14 GA HD SOLID COPPERWELD 7¢/ft.
 18 GA HD SOLID COPPERWELD 4¢/ft.
 8 GA SOLID ALUMINUM GROUNDING WIRE 8¢/ft.
 # SOLD IN CONTINUOUS LENGTHS TO 5000 FT. IN 50 FT. MULTIPLES ONLY

ANTENNA GOODIES
 ALPHA DELTA PRODUCTS AT DISCOUNT PRICES
 AMPHENOL PL-259 89¢/ea.
 AMPHENOL UG-21D/U N TYPE \$2.95
 CERAMIC DOGBONE INSULATORS 70¢/ea.
 COAX SEAL, ROLL \$1.95
 VAN GORDEN HI-Q 1: 1 BALUN \$10.95
 VAN GORDEN HI-Q CENTER INSULATOR \$5.95
 W2AU 1: 1 or 4: 1 BALUN \$15.50
 W2AU TRAPS 10/15/20/30/40 \$33.95/pr.
 W2AU END-sulator \$1.50
 B&W 375 or 376 COAX SWITCH \$22.00
 B&W 593/595 COAX SWITCH \$24.00/\$28.00
 DAIWA CS201/CS401 SWITCH \$20.00/\$62.95

ANTENNAS • ROTORS • TOWERS
 ALLIANCE U110/HD73 Rotors \$45.95/\$98.00
 AVANTI HMR 151.3G ON GLASS 2M ANT \$29.50
 AVANTI HMR450.5G ON GLASS \$32.00
 BUTTERNUT HF2V 40 & 80 Mtr Vertical \$108.95
 BUTERNUT HF6V 6 BAND Vertical \$112.95
 TBR160S/RMK-II/STRII \$47.50/\$41.95/\$29.95
 BUTTERNUT 2MVCV/2MVCV 5 \$36.75/\$42.75
 BUTTERNUT HF3B Compact Tri-Band Beam \$165.95
BONUS-FREESHIPPING ON BUTTERNUT HF ANTENNAS AND BUTTERNUT ACCESSORIES PURCHASED WITH AN HF ANTENNA (Cont. USA Only)
 B & WAC 3.5 30 ALL BAND FOLDED DIPOLE. \$129.50
 CUSHCRAFT A3/A4 \$203.95/\$263.95
 CUSHCRAFT R3 VERTICAL \$254.95
 OTHER CUSHCRAFT IN STOCK
 HY-GAIN CD-4511 ROTOR. \$154.95
 HY-GAIN HAM IV/T2X ROTORS \$246.95/\$295.95
 HY-GAIN TH5MK2S/TH7DXS \$429.95/\$497.95
 HY-GAIN EX-14/QK710 \$339.95/\$44.95
 LARSEN LM-150-MM 2mtr MAG MT ANT \$37.95
 MINI PRODUCTS HQ-1 MINI QUAD \$138.95
 MOSLEY TA-33UR/TA33 \$173.95/\$235.95
 MOSLEY CL-33/CL-36 \$260.95/\$350.95
 MOSLEY PRO-37 \$460.95
 VAN GORDEN GSRV MULTI-BANDER \$42.95
 VAN GORDEN ALL BANDER \$24.95
 VAN GORDEN SD-40 DIPOLE KIT \$22.10
 VAN GORDEN SD-80 DIPOLE KIT \$26.00
 VAN GORDEN PD 40-20 DIPOLE KIT \$27.30
 VAN GORDEN PD 80-10 DIPOLE KIT \$32.00
 VAN GORDEN PD 80-40 DIPOLE KIT \$29.95
UNIVERSAL ALUMINUM TOWERS DISCOUNT PRICES
HY-GAIN TOWERS SHIPPED FREE!
 HG-375S/HG52SS \$785.00/\$1145.00
 HG-54-HD/HG70HD \$1765.00/\$2825.00
NOW STOCKING PHILLYSTRAN GUY CABLE!
 HPTG 2100 (2100# RATING) 27¢/ft.
 HPTG 4000 (4000# RATING) 47¢/ft.
 9901 CABLE END \$7.50/ea.
 SOCKETFAST POTTING COMPOUND \$14.50

ASTRON POWER SUPPLIES
 RS7A/RS12A \$48.55/\$68.30
 RS20A/RS20M \$87.00/\$103.00
 RS35A/RS35M \$131.00/\$148.75
 RS50A/RS50M \$189.00/\$209.00
TEN-TEC
 CORSAIR II \$1144.95
 525D ARGOSVII \$515.00
 CENTURY 22 \$345.95
 2510 MODEL B \$410.00
 229 1KW ANTENNA TUNER \$248.00
 4229 1KW ANTENNA TUNER KIT \$178.00
MFJ
 941D/949C ANTENNA TUNERS \$87.50/\$127.50
 401/407 KEYS \$43.95/\$59.95
 MANY OTHER MFJ PRODUCTS IN STOCK
NYE VIKING
 MB5A TUNER \$485.95
 MB4-2A TUNER \$409.95
 2KW LOW PASS FILTER \$26.95
AMERITRON
 AL-80A LINEAR \$655.95
 AL-84 LINEAR \$335.00
 AL-1200 LINEAR \$1303.95
 ATR-15 1500W TUNER \$248.95
 ATR-10 1000W TUNER \$238.95
 AL-80A/ATR-15 PACKAGE \$885.95
 ALB4/ATR10 PACKAGE \$545.95
 RSC-8 REMOTE COAX SWITCH \$110.95
AMP SUPPLY CO.
 LA1000A/LA1000NT \$385.95/\$465.95
 LK500ZA/LK500ZB \$935.95/\$1130.95
DAIWA CN520/620/630N \$57.97/\$105.95/\$138.95
ALPHA DELTA MACC 4pos/8pos \$53.95/\$71.50
BENCHER PADDLES BLACK/CHROME \$37.50/\$47.50
SHURE 444D Dual IMP DESK MIC \$51.95
HEIL SOUND PRODUCTS IN STOCK
PALOMAR ENGINEERS PRODUCTS IN STOCK

NEW PRODUCT - Our own 2 element 160.75/80, 40 Meter Sloper Antenna... only \$34.95 ppd.

LA CUE inc.
 132 Village Street
 Johnstown, PA 15902



Hours Monday - Friday, 8:30 - 6:00, Saturday 8:30 - 4:00 • Please send stamp for flyer • We Export!

CALL TO L.L. FREE - ORDERS ONLY PLEASE!
800-637-3300
 INFORMATION AND PA ORDERS CALL!
814-536-5500

U.S.A. Club Scores

Frankford Radio Club	74,416,677
Yankee Clipper Contest Club	70,327,911
Southern California Contest Club	38,858,559
Potomac Valley Radio Club	26,558,671
Dixie DXers	20,762,995
Northern California Contest Club	15,771,430
Mad River Contest Club	14,846,906
Texas DX Society	12,202,977
Northern California DX Club	10,736,543
North Texas Contest Club	10,446,005
Colorado Contest Conspiracy	6,903,362
Southern California DX Club	6,703,452
Carolina DX Association	6,430,272
Murphy's Marauders	6,362,716
San Diego DX Club	5,538,772
Southeastern DX Club	5,284,358
Grand Mesa Contesters	4,322,428
Kansas City DX Club	3,784,980
Rubber Circle Contest Club	3,656,431
Greater Milwaukee DX Association	3,407,138
South Florida DX Association	3,314,207
North Florida DX Association	3,266,203
Willamette Valley DX Club	2,956,918
Fraser Valley DX Club	2,710,134
Northern Ohio DX Association	2,645,138
Eastern Iowa DX Association	1,935,618
Central Indiana Contesters	1,609,854
Northern Illinois DX Association	1,583,580
Central Arizona DX Association	1,493,869
Mississippi Valley DX and Contest Club	1,332,628
Michigan DX Association	1,199,784
Southern New England DX Association	1,154,731
Four Lakes Amateur Radio Club	895,773

South Jersey Radio Association	732,448
Rochester DX Association	729,320
Wernersville Area Contest Organization	683,632
Long Island DX Association	555,936
Western Washington DX Club	510,001
Alamo DX Amigos	332,357
Metro DX Club	328,411
Ashtabula County Amateur Radio Club	273,616
Fox River Radio Club	168,783
Ulita Amateur Radio Club	123,015
Boiled Owls of New York	118,665
Western Piedmont Amateur Radio Club	68,158

DX Club Scores

Bavarian Contest Club	12,978,952
Marianas Amateur Radio Club	9,905,333
Kaunas Polytechnic Institute	9,030,258
Pretoria Contest Club	7,598,516
Lithuanian Contest Club	6,918,497
Rein Ruhr DX Association	5,308,038
Down Under Contest Club	5,254,970
The Bullmertz	4,325,587
Alaska DX Association	4,151,263
Voroshilovgrad Radio Club	2,653,535
South German DX Group	2,517,042
YU DX Club	2,505,255
Tallinn Radio Club	2,479,689
Donetsk Radio Club	2,411,098
Chelyabinsk Radio Club	2,359,102
Ontario DX Club	1,303,595
Northern Lithuanian DX Group	1,139,037
SP DX Club	481,850
DX Club of Saar Pfalz	417,893
Kukuryukai Contest Club	284,744

WORLD TOP 10 QRPp

(5w input)
All Band

1. K8IA	271,656
2. 4X6IF	258,132
3. AA2Z/1	192,864
4. K3WS	171,380
5. UP2BL	161,109
6. UB5IJA	119,024
7. KA2AEV	108,224
8. W8VSK	103,488
9. YU3MJ	101,244
10. K7SS	98,735

Team Contesting

- Downhill Contest Team (9Y4VT by N6AA, EA9KF by N6TJ, CT1BCM by OH2BH, YB0ARA by OH2MM, and XE2MX by N6ZZ) 18,033,611
- FOC Team A (G3FXB, G3MXJ, G4BUE, OZ1LO, ZL3GQ) 7,165,812
- FOC Team D (G3PDL, G3VMW, G3WPF, G4UPS, W1AX) 3,751,085
- FOC Team B (G3KDB, G3LNS, G4CP, HH2VP) 3,420,847

Number groups after call letters denote following: Band (A=all), Final Score, Number of QSOs, Zones, and Countries. Certificate winners are listed in Bold Face.

**SINGLE OPERATOR
NORTH AMERICA**

UNITED STATES

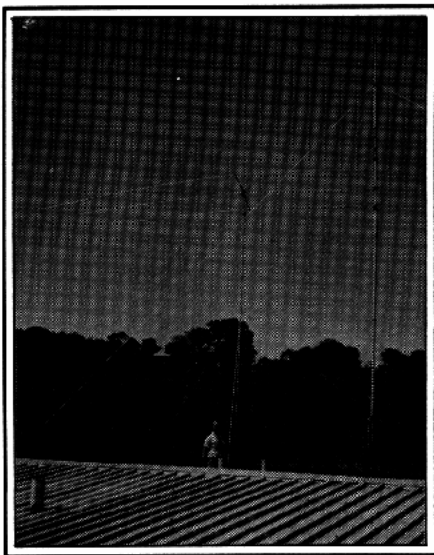
K1DG	A	1,850,453	1429	127	324
K10X		1,843,428	1428	124	323
			(Dpr. K1CF)		
W1KM		1,741,922	1368	124	318
K1EA		1,634,165	1421	115	288
W1RM		1,556,100	1195	130	325
K1AR		1,366,182	1112	120	306
W1DA		975,280	936	105	280
K1XA		926,720	1020	91	229
K1VR		837,375	754	112	273
W1HN		673,137	728	86	235
W1BH		452,100	497	100	230
W1AX		448,448	533	96	212
W1FJ		439,108	525	91	211
K1KI		432,707	535	92	191
K5MA/1		398,658	571	80	167
W1GG		240,240	380	77	154
K8HVT/1		225,600	362	74	161
KA1DWX		220,560	347	72	168
WA1UDH		196,251	346	65	144
K1VUT		189,000	387	64	125
AI1S		168,480	281	68	148
KT1O		148,512	311	60	122
W1WAI		108,368	205	67	141
WA2DNF/1		101,808	236	54	114
W1HX		89,739	192	56	113
WB1AEL		89,712	223	46	98
K1YRP		66,452	168	49	99
N1AU		61,439	169	46	85
W1DR		57,645	152	44	91
WA1ZAM		48,375	151	39	90
W1BR		47,029	137	41	90
K1MCM		46,150	118	52	90
W1CNU		44,296	126	38	75
W1HUE		38,685	121	38	77
W10PJ		9,179	66	25	43
N1CJX		4,365	14	16	29
W1PLJ		4,033	40	12	25
AI3E/1		3,654	33	15	27
W1WFEF	28	1,431	23	11	16
WA1FCN	21	61,146	228	19	61

W1YN	14	189,375	521	33	92	K2JT		12,428	92	13	39	N4JF		385,800
W1XN		25,589	127	21	46	W2YY		2,774	31	14	24	N4VZ		385,280
K1TR		15,500	89	27	35	W2BHK	1.8	2,392	41	9	27	K4XO		309,888
K1BW	7	314,360	746	35	110	K3UA/2		1,067	28	7	11	N4KMY		201,476
W1PL		60,605	229	23	79							NQ4I		197,737
KB1H		11,300	85	14	36	K3WW	A	1,450,345	1201	121	300	WB4MAI		158,000
W1WF	3.5	99,495	356	23	76	K3ZO		1,398,558	1219	115	287	W4BAA		156,168
W6MHHK/1		2,240	36	10	18	N3AD		1,351,507	1243	111	272	WB4FOT		147,183
K1ZM	1.8	19,323	135	14	43	K3LP		1,300,650	1057	125	310	WM4Z		128,700
W1CF		7,917	156	11	28	W3XU		1,118,000	1156	92	252	W3NX/4		126,027
			(Dpr. N1EE)			K300		1,031,538	962	115	264	K40D		120,848
K1MM		6,345	56	14	31	K3ZT		748,200	776	103	241	W4LVM		112,728
KA1SR		539	23	5	6	K3NZ		730,186	768	101	230	K4EZ		101,035
N2LT	A	2,192,028	1703	119	325	N3CXV		505,076	627	90	196	N4IB		100,724
W2VJN		1,222,208	956	131	321	W3UM		482,304	547	98	216	WB4BBH		99,632
K2RD		1,088,976	970	111	281	W30V		378,852	530	79	183	W4KO		89,537
N2GG		769,064	722	111	272	W3UJ		368,010	497	83	195	W4YN		83,410
N2MM		768,432	812	92	244	K3TC		359,788	456	87	199	KA4EQW		79,655
K2ZJ		421,740	550	79	191	W3KV		341,628	424	93	201	N4KE		72,912
K2FL		344,858	463	84	185	W3GW		280,714	347	91	190	K4FPF		65,975
K2VV		290,656	402	79	169	K30X		211,725	353	74	151	N4NX		61,545
W2RQ		282,388	450	76	151	W3GL		177,156	289	74	154	KC4GR		61,398
W2TZ		280,539	465	65	154	W3ARK		161,787	296	65	134	K4CEB		40,131
K20F		217,384	345	77	155	WA3IMY		150,586	270	61	145	KF4CI		30,580
K2QIL		191,994	382	50	125	K3PA		148,590	286	61	134	NF4A		20,516
N2MR		185,954	318	66	152	W3EUV		141,893	242	76	143	WS4E		18,411
W2NC		160,176	272	72	141	K2ITG/3		124,912	214	69	142	W4DJO		17,661
W2PAU		143,349	246	63	150	N3AM		120,695	241	60	128	KF4CO		16,380
K2MFY		138,710	276	60	134	AD3V		115,232	215	76	132	N4IA		15,106
W2NS		121,948	246	51	121	W9KTP/3		114,729	241	52	115	K4KG		13,307
K2JLA		111,687	242	58	119	N3HW		109,681	247	56	113	WN4S		10,716
W2FTY		95,931	202	58	113	N3RW		67,760	170	53	101	N4NK		5,508
N2AIF		93,353	204	58	109	W3AA		66,738	178	52	95	W4UM	21	228,384
W2KHQ		72,473	195	49	88	WB3CAC		63,404	185	41	90	WB4TDH		118,826
WA2VYA		69,408	177	48	96	W3EAN		48,800	176	32	68	N4MM		111,384
WA20RX		69,350	172	47	99	K3IE		43,470	128	43	76	K4JRF		12,376
W2DW		69,300	187	46	94	K3NL		35,514	113	45	83	W4MO	14	97,468
W2AYJ		65,469	192	43	96	N2MA/3		30,548	203	68	131	AA6DX/4		67,620
W2GKZ		34,568	120	42	74	W3SOH		29,808	116	38	70	W4YT		62,700
NA2O		31,174	122	38	71	W30D		26,950	103	29	69	W60KX/4		61,950
KW2J		29,106	118	40	58	N3BNA		18,632	156	46	94	KN4B		32,129
KY2J		28,380	109	41	69	W3FQE		4,850	39	20	30	W4BPP		288
W2PHI		26,200	95	41	59	K3VX	21	122,109	409	24	77	WT4A	7	254,898
WA2WIP		21,056	99	36	58	N3RS	14	314,505	754	35	110	K4ISV		161,602
K2MN		16,932	78	29	54	N3BJ		184,404	526	32	95	WA4CTA		156,780
NF2K		10,800	56	27	45	W3GN		86,292	293	28	74	N4CC		142,984
KC2DR		9,794	56	19	40	WB3FJ/3	7	165,827	425	36	103	N4XM		91,015
W2AWF		8,277	85	23	50	W3AP		133,750	374	36	89	W4YE		58,968
KT2D		7,320	55	24	37	K3TW	3.5	34,830	169	22	59	W4BV		56,341
N2DRR		1,848	27	16	17	K3WGR		15,500	101	17	45	WZ4Z		32,910
KK2B		1,204	20	12	16	K3ND		2,784	32	10	22	W4FH		3,150
K2EK	21	276,727	782	28	93	KB3A		2,158	29	10	18	W1UA/4		1,410
KF2D		4,815	40	15	30	AA1K/3	1.8	6,512	61	13	31	N4RJ	3.5	69,258
K2WQ	14	187,566	497	35	94							W4XJ		20,538
KB2NU		24,187	125	22	45	W4RX	A	1,663,305	1255	135	330	W4MGX		9,936
WB2SZY		21,045	124	17	44	N4WW		1,615,940	1323	127	303	N4SU	1.8	9,604
KA2MXO		20,215	114	18	47							KG4W		5,966
N2JJ	7	30,504	126	27	66	K1ZX/4		898,498				N4UE		4,864
N2UN		28,801	126	26	57	W3VT/4		824,172				K4INE		4,592
W2HG		9,968	70	17	39	K4PQL		780,736				N4DU	A	612,161
K2SX	3.5	34,320	165	20	58	N4EJW		457,704	</					

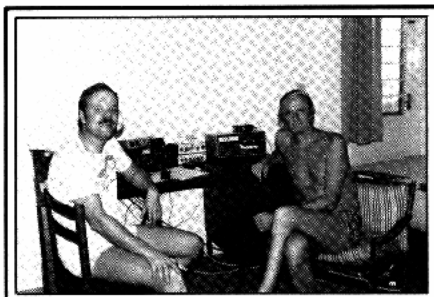
KOREA				KUWAIT				SINGAPORE				WEST MALAYSIA				ASIATIC USSR				ARMENIA				ASIATIC RUSSIA				KIRGHIZ				TADZIK				TURKOMAN				EUROPE				AALAND ISLANDS				AUSTRIA				BALEARIC ISLANDS				BELGIUM				BULGARIA				CZECHOSLOVAKIA				DENMARK				ENGLAND				FRANCE				GERMANY (GDR)				GERMANY (FRG)																																																																																																																																																																																																																																																																																																																																																																																																																																																																																																																																																																																																																																																																																																																																																																																																																																																																																																																																																																																																																																																																																																				
HL4XM	A	44,004	349 38 38	UL7FDD	"	11,373	106 16 35	UM8MBA	A	755,326	1119 76 202	UH8BO	14	24,880	208 22 58	UA9MR	A	483,648	824 86 213	OH8BA	A	1,772,692	2706 95 303	UV9WW	"	538,575	942 51 164	OE3RE	A	158,400	473 57 143	UV9WV	"	259,370	531 46 133	OE3DSA	3.5	85,608	993 14 58	UA90A	"	148,737	5*3 40 89	OH96A	"	1,772,692	2706 95 303	UA90B	"	82,636	221 35 111	OH96B	"	1,772,692	2706 95 303	UA90C	"	75,224	292 35 99	OH96C	"	1,772,692	2706 95 303	UA90D	"	64,960	258 32 86	OH96D	"	1,772,692	2706 95 303	UA90E	"	30,008	147 22 66	OH96E	"	1,772,692	2706 95 303	UA90F	"	26,163	129 26 55	OH96F	"	1,772,692	2706 95 303	UA90G	"	12,218	61 26 56	OH96G	"	1,772,692	2706 95 303	UA90H	"	640	12 8 12	OH96H	"	1,772,692	2706 95 303	UA90I	"	64,524	441 17 40	OH96I	"	1,772,692	2706 95 303	UA90J	"	36,102	233 19 47	OH96J	"	1,772,692	2706 95 303	UA90K	"	35,720	280 15 32	OH96K	"	1,772,692	2706 95 303	UA90L	"	263,648	884 33 79	OH96L	"	1,772,692	2706 95 303	UA90M	"	53,061	283 20 49	OH96M	"	1,772,692	2706 95 303	UA90N	"	32,375	180 24 52	OH96N	"	1,772,692	2706 95 303	UA90O	"	16,925	195 13 26	OH96O	"	1,772,692	2706 95 303	UA90P	"	2,214	82 10 17	OH96P	"	1,772,692	2706 95 303	UA90Q	"	253,470	1060 30 75	OH96Q	"	1,772,692	2706 95 303	UA90R	"	209,412	717 31 71	OH96R	"	1,772,692	2706 95 303	UA90S	"	135,548	596 31 72	OH96S	"	1,772,692	2706 95 303	UA90T	"	50,785	276 27 40	OH96T	"	1,772,692	2706 95 303	UA90U	"	51,758	276 27 40	OH96U	"	1,772,692	2706 95 303	UA90V	"	132,859	523 55 112	OH96V	"	1,772,692	2706 95 303	UA90W	"	56,127	313 118 152	OH96W	"	1,772,692	2706 95 303	UA90X	"	42,716	187 60 120	OH96X	"	1,772,692	2706 95 303	UA90Y	"	41,964	119 56 100	OH96Y	"	1,772,692	2706 95 303	UA90Z	"	39,390	271 30 71	OH96Z	"	1,772,692	2706 95 303	UA91A	"	4,500	40 20 30	OH97A	"	1,772,692	2706 95 303	UA91B	"	286	8 4 9	OH97B	"	1,772,692	2706 95 303	UA91C	"	15,808	181 17 47	OH97C	"	1,772,692	2706 95 303	UA91D	"	6,300	82 13 22	OH97D	"	1,772,692	2706 95 303	UA91E	"	2,610	55 9 20	OH97E	"	1,772,692	2706 95 303	UA91F	"	1,704	51 6 18	OH97F	"	1,772,692	2706 95 303	UA91G	"	70,122	492 23 64	OH97G	"	1,772,692	2706 95 303	UA91H	"	33,086	355 19 52	OH97H	"	1,772,692	2706 95 303	UA91I	"	18,084	181 14 52	OH97I	"	1,772,692	2706 95 303	UA91J	"	7,280	80 15 37	OH97J	"	1,772,692	2706 95 303	UA91K	"	6,439	98 15 32	OH97K	"	1,772,692	2706 95 303	UA91L	"	3,182	58 11 26	OH97L	"	1,772,692	2706 95 303	UA91M	"	3,840	85 8 32	OH97M	"	1,772,692	2706 95 303	UA91N	"	78,088	656 17 69	OH97N	"	1,772,692	2706 95 303	UA91O	"	60,844	568 16 66	OH97O	"	1,772,692	2706 95 303	UA91P	"	1,957,566	2132 117 349	OH97P	"	1,772,692	2706 95 303	UA91Q	"	1,298,440	1608 115 325	OH97Q	"	1,772,692	2706 95 303	UA91R	"	813,958	1385 91 243	OH97R	"	1,772,692	2706 95 303	UA91S	"	530,400	1024 75 225	OH97S	"	1,772,692	2706 95 303	UA91T	"	400,158	949 75 205	OH97T	"	1,772,692	2706 95 303	UA91U	"	246,675	492 73 202	OH97U	"	1,772,692	2706 95 303	UA91V	"	161,856	481 63 129	OH97V	"	1,772,692	2706 95 303	UA91W	"	153,594	530 51 156	OH97W	"	1,772,692	2706 95 303	UA91X	"	127,328	513 49 135	OH97X	"	1,772,692	2706 95 303	UA91Y	"	122,983	387 52 131	OH97Y	"	1,772,692	2706 95 303	UA91Z	"	110,695	421 45 124	OH97Z	"	1,772,692	2706 95 303	UA92A	"	36,390	299 44 86	OH98A	"	1,772,692	2706 95 303	UA92B	"	34,977	406 44 129	OH98B	"	1,772,692	2706 95 303	UA92C	"	78,590	297 43 102	OH98C	"	1,772,692	2706 95 303	UA92D	"	76,930	310 47 110	OH98D	"	1,772,692	2706 95 303	UA92E	"	73,280	261 48 112	OH98E	"	1,772,692	2706 95 303	UA92F	"	66,528	397 28 98	OH98F	"	1,772,692	2706 95 303	UA92G	"	59,631	326 37 102	OH98G	"	1,772,692	2706 95 303	UA92H	"	55,584	165 50 143	OH98H	"	1,772,692	2706 95 303	UA92I	"	53,280	196 40 35	OH98I	"	1,772,692	2706 95 303	UA92J	"	47,520	165 40 35	OH98J	"	1,772,692	2706 95 303	UA92K	"	44,722	218 36 82	OH98K	"	1,772,692	2706 95 303	UA92L	"	44,714	213 36 81	OH98L	"	1,772,692	2706 95 303	UA92M	"	44,480	351 21 88	OH98M	"	1,772,692	2706 95 303	UA92N	"	42,136	312 22 70	OH98N	"	1,772,692	2706 95 303	UA92O	"	35,017	288 20 77	OH98O	"	1,772,692	2706 95 303	UA92P	"	30,988	219 31 91	OH98P	"	1,772,692	2706 95 303	UA92Q	"	27,645	242 23 72	OH98Q	"	1,772,692	2706 95 303	UA92R	"	27,300	162 27 78	OH98R	"	1,772,692	2706 95 303	UA92S	"	26,130	136 16 49	OH98S	"	1,772,692	2706 95 303	UA92T	"	24,300	129 32 68	OH98T	"	1,772,692	2706 95 303	UA92U	"	15,051	112 26 61	OH98U	"	1,772,692	2706 95 303	UA92V	"	14,000	102 42 58	OH98V	"	1,772,692	2706 95 303	UA92W	"	13,937	82 22 55	OH98W	"	1,772,692	2706 95 303	UA92X	"	10,780	70 33 44	OH98X	"	1,772,692	2706 95 303	UA92Y	"	9,604	199 9 40	OH98Y	"	1,772,692	2706 95 303	UA92Z	"	8,509	61 24 43	OH98Z	"	1,772,692	2706 95 303	UA93A	"	5,886	56 16 38	OH99A	"	1,772,692	2706 95 303	UA93B	"	3,392	41 20 33	OH99B	"	1,772,692	2706 95 303	UA93C	"	2,818	29 10 18	OH99C	"	1,772,692	2706 95 303	UA93D	"	1,652	29 10 18	OH99D	"	1,772,692	2706 95 303	UA93E	"	1,652	29 10 18	OH99E	"	1,772,692	2706 95 303	UA93F	"	1,652	29 10 18	OH99F	"	1,772,692	2706 95 303	UA93G	"	1,652	29 10 18	OH99G	"	1,772,692	2706 95 303	UA93H	"	1,652	29 10 18	OH99H	"	1,772,692	2706 95 303	UA93I	"	1,652	29 10 18	OH99I	"	1,772,692	2706 95 303	UA93J	"	1,652	29 10 18	OH99J	"	1,772,692	2706 95 303	UA93K	"	1,652	29 10 18	OH99K	"	1,772,692	2706 95 303	UA93L	"	1,652	29 10 18	OH99L	"	1,772,692	2706 95 303	UA93M	"	1,652	29 10 18	OH99M	"	1,772,692	2706 95 303	UA93N	"	1,652	29 10 18	OH99N	"	1,772,692	2706 95 303	UA93O	"	1,652	29 10 18	OH99O	"	1,772,692	2706 95 303	UA93P	"	1,652	29 10 18	OH99P	"	1,772,692	2706 95 303	UA93Q	"	1,652	29 10 18	OH99Q	"	1,772,692	2706 95 303	UA93R	"	1,652	29 10 18	OH99R	"	1,772,692	2706 95 303	UA93S	"	1,652	29 10 18	OH99S	"	1,772,692	2706 95 303	UA93T	"	1,652	29 10 18	OH99T	"	1,772,692	2706 95 303	UA93U	"	1,652	29 10 18	OH99U	"	1,772,692	2706 95 303	UA93V	"	1,652	29 10 18	OH99V	"	1,772,692	2706 95 303	UA93W	"	1,652	29 10 18	OH99W	"	1,772,692	2706 95 303	UA93X	"	1,652	29 10 18	OH99X	"	1,772,692	2706 95 303	UA93Y	"	1,652	29 10 18	OH99Y	"	1,772,692	2706 95 303	UA93Z	"	1,652	29 10 18	OH99Z	"	1,772,692	2706 95 303	UA94A	"	1,652	29 10 18	OH99A	"	1,772,692	2706 95 303	UA94B	"	1,652	29 10 18	OH99B	"	1,772,692	2706 95 303	UA94C	"	1,652	29 10 18	OH99C	"	1,772,692	2706 95 303	UA94D	"	1,652	29 10 18	OH99D	"	1,772,692	2706 95 303	UA94E	"	1,652	29 10 18	OH99E	"	1,772,692	2706 95 303	UA94F	"	1,652	29 10 18	OH99F	"	1,772,692	2706 95 303	UA94G	"	1,652	29 10 18	OH99G	"	1,772,692	2706 95 303	UA94H	"	1,652	29 10 18	OH99H	"	1,772,692	2706 95 303	UA94I	"	1,652	29 10 18	OH99I	"	1,772,692	2706 95 303	UA94J	"	1,652	29 10 18	OH99J	"	1,772,692	2706 95 303	UA94K	"	1,652	29 10 18	OH99K	"	1,772,692	2706 95 303	UA94L	"	1,652	29 10 18	OH99L	"	1,772,692	2706 95 303	UA94M	"	1,652	29 10 18	OH99M	"	1,772,692	2706 95 303	UA94N	"	1,652	29 10 18	OH99N	"	1,772,692	2706 95 303	UA94O	"	1,652	29 10 18	OH99O	"	1,772,692	2706 95 303	UA94P	"	1,652	29 10 18	OH99P	"	1,772,692	2706 95 303	UA94Q	"	1,652	29 10 18	OH99Q	"	1,772,692	2706 95 303	UA94R	"	1,652	29 10 18	OH99R	"	1,772,692	2706 95 303	UA94S	"	1,652	29 10 18	OH99S	"	1,772,692	2706 95 303	UA94T	"	1,652	29 10 18	OH99T	"	1,772,692	2706 95 303	UA94U	"	1,652	29 10 18	OH99U	"	1,772,692	2706 95 303	UA94V	"	1,652	29 10 18	OH99V	"	1,772,692	2706 95 303	UA94W	"	1,652	29 10 18	OH99W	"	1,772,692	2706 95 303	UA94X	"	1,652	29 10 18	OH99X	"	1,772,692	2706 95 303	UA94Y	"	1,652	29 10 18	OH99Y	"	1,772,692	2706 95 303	UA94Z	"	1,652	29 10 18	OH99Z	"	1,772,692	2706 95 303	UA95A	"	1,652	29 10 18	OH99A	"	1,772,692	2706 95 303	UA95B	"	1,652	29 10 18	OH99B	"	1,772,692	2706 95 303	UA95C	"	1,652	29 10 18	OH99C	"	1,772,692	2706 95 303	UA95D	"	1,652	29 10 18	OH99D	"	1,772,692	2706 95 303	UA95E	"	1,652	29 10 18	OH99E	"	1,772,692	2706 95 303	UA95F	"	1,652	29 10 18	OH99F	"	1,772,692	2706 95 303	UA95G	"	1,652	29 10 18	OH99G	"	1,772,692	2706 95 303	UA95H	"	1,652	29 10 18	OH99H	"	1,772,692	2706 95 303	UA95I

Y22UB	5.050	38	21	29	ISMXX	71.995	364	26	59	PORTUGAL				WALES				YUGOSLAVIA											
Y38ZG	243	9	4	5	I2MOP	219.240	926	32	88	CT1BCM	A 3,295,152	3108	123	344	GW3JI	A 182,952	586	51	155	UA3DMY	6,420	57	23	37					
Y51XE	14 71.192	438	26	62	IV4FGM	196.272	959	31	85	CT1CBW	324,710	853	51	139	GW4TTU	21 69,120	547	20	60	UA4CHH	3,744	56	16	43					
Y26SD	42,180	220	29	66	I7PKV	119,280	480	31	74	CT1YH	5,600	46	23	40	GW3KYA	21 26,649	327	13	34	RA10M	3,212	49	16	28					
Y43VF	12,732	171	28	47	I4IND	361,472	1382	32	86	ROMANIA				GW4PXB	14 13,095	259	8	37	UA4CDY	2,342	62	6	20						
Y38YE	11,346	100	18	43	I4EAT	160,540	1008	22	70	Y08QH	A 188,760	808	48	147	GW3MPB	7 26,598	218	17	61	UW3UD	21 48,198	275	25	62					
Y25HL	7,700	175	11	33	I3JSS	37,386	481	10	57	Y08FR	14 17,596	108	21	62	GW3NYY	3.5 33,701	431	12	55	UA3TAM	14 5,579	143	17	44					
Y21OL	4,600	40	20	30	ITU (GENEVA)				Y08AVB	16,200	107	23	36	EUROPEAN USSR															
Y21CF	4,182	48	17	34	4U1ITU	A 1,361,120	2196	97	279	Y08RU	5,301	44	21	36	BYELORUSSIA														
Y21OC	4,032	81	12	24	NETHERLANDS				Y04CBT	5,760	15	9	15	UC2ACZ	A 77,760	471	34	101	FRANZ JOSEF LAND										
Y22YE	2,706	39	13	20	PABINA	A 309,482	560	75	196	Y08DDP	7 58,466	505	18	64	UC2AS	25,645	181	29	86	UA10T	3.5 8,385	127	12	27	KALININGRAD				
Y24GB/A	1,947	27	14	19	PA0GT	182,720	359	66	166	Y09Y	22,308	221	15	51	UC2AW	5,445	51	18	37	UA2EC	A 215,280	575	68	192	KARELIA				
Y37ZE	1,350	30	9	18	PA0GT	86,507	315	42	115	Y08KGH	400	33	5	15	UC2ALH	121	9	3	8	UA1NAY	A 50,735	286	34	105	LATVIA				
Y21FL	1,053	27	10	17	PA0T	55,970	189	44	101	Y02ARV	2,990	40	11	15	RC2AB	7 43,665	507	15	56	RA1NA	3.5 16,500	256	11	39	UQ2GD	A 443,091	1036	58	198
Y23BF	972	18	10	17	PA0T	47,702	243	35	87	Y03Y	345	12	7	8	UC20BR	7 7,038	133	11	22	UQ2GT	98,784	507	38	106					
Y23HN	405	17	7	8	PA3BTH	44,850	207	35	93	Y08DF	3.5 12,285	260	8	37	UC20T	7 5,104	78	2	32	UQ2GU	56,406	272	45	113					
Y42XB	378	15	7	9	PA3BTK	24,768	113	34	62	Y05BLA	11,916	317	6	30	UC2WAZ	3.5 23,479	396	9	44	UQ2GLW	41,943	243	40	85					
Y62XG	304	11	7	9	PA3BNT	20,553	118	33	60	Y05CYH	6,620	197	6	20	ESTONIA				UQ2GLY	37,801	301	27	86						
Y24YH	7 25,428	227	16	63	PA3BLU	17,466	73	22	42	SCOTLAND				UR2RO	A 118,221	443	37	120	UQ2GHH	19,173	158	20	63						
Y22BK	10,680	150	13	47	PA3ACC	9,750	122	24	43	G8MSG	A 21,948	134	26	67	UR2RND	53,098	196	49	90	UQ2GHP	11,475	127	20	55					
Y21NE	6,992	130	7	39	PA3CCF	7,749	82	24	39	G3MRAO	14 22,310	317	12	34	UR2RNG	36,292	349	18	68	UQ2GHC	19,173	158	20	63					
Y21EA	4,836	106	8	31	PA3CNI	1,210	29	7	15	SICILY				UR2RER	11,502	81	30	51	UQ2GLV	41,943	243	40	85						
Y27GL	3,978	67	9	30	PA3DKX	14 12,075	75	23	49	IT9ZGY	7 88,642	554	20	62	UR2RFB	3,538	65	11	41	UQ2GLW	37,801	301	27	86					
Y55XM	561	35	3	14	PI6PVI	3.5 9,240	100	10	50	SPAIN				UR2RE	14 118,104	616	30	84	UQ2GLW	37,801	301	27	86						
Y54PL	3.5 63,510	803	17	56	PA0JUN	3,315	81	9	30	EZ2IA	A 2,468,804	3041	95	299	UR2RZ	49,283	314	22	58	UQ2GMR	15,960	341	13	37					
Y55GQ	34,136	465	10	43	PA3BFM	1.8 35,070	425	12	58	EZ2IB	184,984	642	47	105	UR2RF	3,225	22	25	70	UQ2GND	9,338	166	11	35					
Y43ZQ	28,567	469	10	43	PA3PFW	15,249	287	9	42	EZ2IC	172,140	599	49	138	UR2RF	1,767	37	10	21	UQ2GNT	12,150	227	9	36					
Y56ZA	27,898	441	11	47	NORWAY				EZ2ID	166,980	565	44	121	UR2RF	308	8	6	8	UQ2GNT	12,150	227	9	36						
Y56ZF	7,482	161	7	36	LA1HCA	A 93,885	377	44	121	EZ2IE	145,457	503	65	102	UR2RF	308	8	6	8	UQ2GNT	12,150	227	9	36					
Y56ZA	4,970	135	7	28	LA7SI	29,735	221	29	66	EZ2IF	105,457	503	65	102	UR2RF	308	8	6	8	UQ2GNT	12,150	227	9	36					
Y34WF	759	31	5	18	LA8CJ	1,332	32	12	25	EZ2IG	40,256	308	41	95	UR2RF	308	8	6	8	UQ2GNT	12,150	227	9	36					
Y26FL	722	40	4	15	LA9ZY	84	11	3	3	EZ2IH	31,164	206	30	54	UR2RF	308	8	6	8	UQ2GNT	12,150	227	9	36					
Y24LA	320	18	5	11	LA4YV	45,801	410	17	45	EZ2IJ	30,906	217	33	72	UR2RF	308	8	6	8	UQ2GNT	12,150	227	9	36					
Y39XD	1.8 14,208	295	7	41	LA5XA	31,293	281	17	44	EZ2IK	25,116	202	24	54	UR2RF	308	8	6	8	UQ2GNT	12,150	227	9	36					
Y22TO	10,906	264	6	35	LA9GY	703	36	4	15	EZ2IL	21,690	99	36	54	UR2RF	308	8	6	8	UQ2GNT	12,150	227	9	36					
Y37XJ	4,032	109	5	31	LA9SN	10,793	181	17	26	EZ2IM	16,351	96	30	53	UR2RF	308	8	6	8	UQ2GNT	12,150	227	9	36					
Y24SG	2,727	101	4	23	LA1VL	9,184	124	11	30	EZ2IN	8,908	73	21	68	UR2RF	308	8	6	8	UQ2GNT	12,150	227	9	36					
Y23DL	380	20	4	16	LA1EE	7 76,516	496	24	70	EZ2IO	6,834	54	24	43	UR2RF	308	8	6	8	UQ2GNT	12,150	227	9	36					
GIBRALTAR					LA2CF	25,024	256	18	50	EZ2IP	5,070	64	13	26	UR2RF	308	8	6	8	UQ2GNT	12,150	227	9	36					
ZB2EO	1.8 9,108	172	9	37	LA2BG	13,440	238	9	39	EZ2IQ	1,534	33	9	17	UR2RF	308	8	6	8	UQ2GNT	12,150	227	9	36					
GREECE					LA1PBA	588	25	5	16	EZ2IR	1,365	25	10	25	UR2RF	308	8	6	8	UQ2GNT	12,150	227	9	36					
J40AA	1.8 7,889	144	7	42	LA5FU	3.5 41,860	513	16	54	EZ2IS	1,365	25	10	25	UR2RF	308	8	6	8	UQ2GNT	12,150	227	9	36					
GUERNSEY					LA7JO	1.8 27,328	389	11	53	EZ2IT	1,365	25	10	25	UR2RF	308	8	6	8	UQ2GNT	12,150	227	9	36					
GU4WTN	A 45,182	304	18	40	LA4LN	4,288	130	6	26	EZ2IU	1,365	25	10	25	UR2RF	308	8	6	8	UQ2GNT	12,150	227	9	36					
HUNGARY					LA5RBA	1,104	49	3	21	EZ2IV	1,365	25	10	25	UR2RF	308	8	6	8	UQ2GNT	12,150	227	9	36					
HABMM	A 809,898	1198	110	279	POLAND				EZ2IW	1,365	25	10	25	UR2RF	308	8	6	8	UQ2GNT	12,150	227	9	36						
HA7LM	253,176	370	58	173	SP4EEZ	A 212,400	900	57	179	EZ2IX	1,365	25	10	25	UR2RF	308	8	6	8	UQ2GNT	12,150	227	9	36					
HA3H7	173,452	565	59	147	SP7NIX	169,231	374	64	65	EZ2IY	1,365	25	10	25	UR2RF	308	8	6	8	UQ2GNT	12,150	227	9	36					
HA4XX	160,230	440	66	144	SP3HC	152,800	578	48	152	EZ2IZ	1,365	25	10	25	UR2RF	308	8	6	8	UQ2GNT	12,150	227	9	36					
HA60S	127,243	503	44	137	SP3BEJ	140,737	371	60	151	EZ2JA	1,365	25	10	25	UR2RF	308	8	6	8	UQ2GNT	12,150	227	9	36					
HA3NU	127,204	465	55	141	SP3HLM	120,986	323	68	135	EZ2JB	1,365	25	10	25	UR2RF	308	8	6	8	UQ2GNT	12,150	227	9	36					
HA3GJ	94,336	335	49	119	SP4JWR	101,115	242	46	143	EZ2JC	1,365	25	10	25	UR2RF	308	8	6	8	UQ2GNT	12,150	227	9	36					
HA3TT	26,572	147	32	59	SP9BKH	83,658	387	38	108	EZ2JD	1,365	25	10	25	UR2RF	308	8	6	8	UQ2GNT	12,150	227	9	36					
HA3FLK	24,470	166	31	58	SP9ABD	60,882	291	39	107	EZ2JE	1,365	25	10	25	UR2RF	308	8	6	8	UQ2GNT	12,150	227	9	36					
HA7SU	23,381	126	37	66	SP6CIC	60,048	214	43	101	EZ2JF	1,365	25	10	25	UR2RF	308	8	6	8	UQ2GNT	12,150	227	9	36					
HA3IU	14,620	124	28	58	SP3LWU	52,452	244	39	102	EZ2JG	1,365	25	10	25	UR2RF	308	8	6	8	UQ2GNT	12,150	227	9	36					
HA3HL	11,913	158	17	40	SP9DWT	52,274	245	37	81	EZ2JH	1,365	25	10	25	UR2RF	308	8	6	8	UQ2GNT	12,150	227	9	36					
HA0HC	10,396	83	20	26	SP3BYZ	47,460	151	47	93	EZ2JI	1,365	25	10	25	UR2RF	308	8	6	8	UQ2GNT	12,150	227	9	36					
HA3GQ	7,626	74	24	38	SP4GFG	45,588	219	36	80	EZ2JJ	1,365	25	10	25	UR2RF	308	8	6	8	UQ2GNT	12,150	227	9	36					
HA5LZ	21 44,806	200	27	59	SP4GFG	42,344	198	42	92	EZ2JK																			

UP2BN 14	84,735	451	27	78	UBSAEZ	490	49	5	14	COLOMBIA					TANZANIA					ENGLAND									
UP2BFL	80,988	513	27	75	UB5ZAL	1.8	30,030	390	13	53	HK1AMW A 731,855 1272 74 123					5H3BH 4,036,290 3286 117 298					G40TU 309,980 980 58 162								
UP3BC	62,000	375	28	72	RT5UY	19,703	283	10	51	EASTER ISLAND					ASIA					FINLAND									
UP2BC	26,860	204	20	65	UB5WF	19,278	331	9	45	CE8AE 28 1.680 34 10 10					JAPAN					OH2VY 1,841,644 2192 122 354									
UP2BDX	260	15	5	8	UB5IPJ	16,576	246	9	47	NETHERLANDS ANTILLES					JAZYKA 2,671,650 2126 144 306					OH5NQ 1,692,603 2074 117 334									
UP2BKA 7	70,830	545	27	63	UB5LCV	11,086	208	7	39	PABJLS/ 1,020,500 1158 118 207					OH7AB 1,068,418 1817 95 282					OH2BR 813,056 1116 97 300									
UP2BLE	30,303	223	22	79	RB5DC	10,578	242	7	36	PJ2 A 93,043 387 35 48					1,020,500 1158 118 207					OH1AA 671,496 1441 68 202									
UP2BON	10,944	135	20	37	UB5MNR	10,086	246	8	33	NE8Z/PJ3 7 7,695 171 7 8					JA1YNE 661,290 872 101 181					OH2AI 514,304 1010 81 247									
UP2BND	10,800	172	11	37	UB5WCO	9,768	246	8	29	PARAGUAY					JA1YAB 635,040 1056 87 129					OH2AQ 331,788 894 61 197									
UP2BLF	6,688	146	9	29	RT5UBW	8,619	134	9	42	ZP5XDW A 296,922 984 46 56					JA1YXP 557,700 836 100 145					OH9AR 240,408 882 46 122									
UP2BIM 3.5	84,788	1005	14	62	UB5UIA	8,208	213	7	31	ZP5XGG A 62,307 319 33 36					JA1ZKL 544,178 866 94 147					F3TV 3,579,500 3130 126 380									
UP2PCI	71,064	840	14	58	OCEANIA					TRINIDAD					JH1YDT 353,192 610 80 132					F6IWW 723,520 1486 77 195									
UP2BEI	66,284	624	17	56	AMERICAN SAMOA					9Y4VT A 5,595,040 4290 124 316					JA1YFH 396,594 733 77 121					F9FYA 304,874 1088 57 85									
UP2BIW	47,322	610	13	53	NH6J/ 2,087,734 2945 103 139					9Y4W 21 701,181 2052 30 87					JA1YR 187,542 401 74 108					F6IGF 249,291 778 57 85									
UP2BFI	45,792	533	14	55	A 2,087,734 2945 103 139					9Y4VU 7 546,735 1255 24 81					JA1YRR 94,380 374 47 74					F6ENV 40,716 256 34 74									
UP2BDF	44,268	545	13	58	AUSTRALIA					URUGUAY					SAUDI ARABIA					FRANCE									
UP2BOS	20,398	362	8	39	VK2800 A 490,175 891 81 111					CX2AD A 92,400 297 50 60					H21AB 3,913,525 2997 124 351					3,579,500 3130 126 380									
UP2BGR	12,144	240	9	35	VK5GZ 184,375 429 51 74					CX8DT 1.8 1,332 30 8 10					ASIATIC USSR					F6IWW 723,520 1486 77 195									
UP2BHO	11,481	225	8	35	VK3DNC 39,160 168 41 47					VENEZUELA					Asiatic Russia					F9FYA 304,874 1088 57 85									
UP2BOE	6,560	130	7	34	VK2GW 21 98,698 554 40 61					4M70P 28 14,980 192 12 16					1,987,128 1889 104 282					F6IGF 249,291 778 57 85									
UP2BZ	6,474	135	8	31	VK8XX 3,025 63 9 8					YYS5A 21 105,021 569 19 44					1,809,458 2122 80 227					F6ENV 40,716 256 34 74									
MOLDAVIA										VK6UJ 42,108 331 21 23					YV4ABR 58,032 435 15 32					1,809,458 2122 80 227					F6ENV 40,716 256 34 74				
U050A A	166,004	686	60	138	VK6AJ 81,928 337 24 53					YV11TO 14 418,698 1270 32 94					1,809,458 2122 80 227					F6ENV 40,716 256 34 74									
U050KR 14	25,296	346	16	46	VK6AG 35,084 248 21 28					YV3ALK 7 241,844 992 29 74					1,809,458 2122 80 227					F6ENV 40,716 256 34 74									
U05GR 3.5	11,554	159	10	43	VK4TT 28,875 186 18 37					YV10B 45,584 350 11 33					1,809,458 2122 80 227					F6ENV 40,716 256 34 74									
UKRAINE										VK2CIA 7 272,970 1029 28 62					MULT-OOPERATOR SINGLE TRANSMITTER NORTH AMERICA					1,809,458 2122 80 227					F6ENV 40,716 256 34 74				
UB5EC A	1,271,400	2040	94	296	VK3MR 133,620 526 20 65					UNITED STATES					1,809,458 2122 80 227					F6ENV 40,716 256 34 74									
UB5IA	309,885	767	66	217	VK6HD 1.8 3,335 46 11 18					K1ZZ 2,773,744 1795 130 366					1,809,458 2122 80 227					F6ENV 40,716 256 34 74									
UB5AL	196,224	741	48	171	HAWAII					K1RX 2,492,475 1760 137 364					1,809,458 2122 80 227					F6ENV 40,716 256 34 74									
UB5AN	189,888	792	46	146	KN6ND A 1,851,525 2796 102 123					K1M1C 1,508,910 1212 116 322					1,809,458 2122 80 227					F6ENV 40,716 256 34 74									
UB5AT	170,982	696	50	157	KH6NO 988,739 1751 91 102					K1X 1,194,032 1087 110 282					1,809,458 2122 80 227					F6ENV 40,716 256 34 74									
UB5TAM	121,849	460	42	127	AH6AZ 433,752 938 74 85					AK1L 256,815 468 60 135					1,809,458 2122 80 227					F6ENV 40,716 256 34 74									
UB5TR	114,918	566	38	141	KH6XX 7 427,230 1424 33 68					KR1R 91,120 249 45 91					1,809,458 2122 80 227					F6ENV 40,716 256 34 74									
UB5EV	110,050	401	52	126	KH6IJ 1.8 117 39 6 4					N2RM 2,052,705 1483 124 363					1,809,458 2122 80 227					F6ENV 40,716 256 34 74									
UB5J	109,886	417	45	122	INDONESIA					W2GD 1,083,600 914 122 298					1,809,458 2122 80 227					F6ENV 40,716 256 34 74									
UB5JS	94,320	330	44	136	YB8ARA A 2,563,424 2373 125 259					K2Q 691,716 696 101 253					1,809,458 2122 80 227					F6ENV 40,716 256 34 74									
UB5SH	86,640	211	64	126	YB2ARH 843,744 1064 96 175					W2OW 389,512 521 85 184					1,809,458 2122 80 227					F6ENV 40,716 256 34 74									
UB5UEW	80,898	378	35	134	YB3ATB 84,257 267 37 72					K2P 157,992 264 79 148					1,809,458 2122 80 227					F6ENV 40,716 256 34 74									
UB5CBA	60,743	311	39	130	YB4FN 21 61,020 329 22 41					K2D 49,833 139 52 95					1,809,458 2122 80 227					F6ENV 40,716 256 34 74									
UB5ENV	60,248	315	33	103	YB8TK 14 45,068 210 28 48					W3BG 2,349,839 1594 143 380					1,809,458 2122 80 227					F6ENV 40,716 256 34 74									
UB5IO	47,300	169	47	93	YB5AQD 20,262 110 24 42					K3NA 675,894 695 112 269					1,809,458 2122 80 227					F6ENV 40,716 256 34 74									
UB5SM	45,980	370	30	80	MARSHALL ISLANDS					K3MM 494,405 536 92 213					1,809,458 2122 80 227					F6ENV 40,716 256 34 74									
UB5DW	45,095	163	46	89	KX6DS A 782,959 1687 62 95					W3N 414,986 537 83 203					1,809,458 2122 80 227					F6ENV 40,716 256 34 74									
UB5VK	42,578	219	30	92	NEW ZEALAND					W3M 366,606 504 88 191					1,809,458 2122 80 227					F6ENV 40,716 256 34 74									
UB5JJK	38,024	304	23	74	ZL3GQ A 2,756,467 2579 124 255					W3MA 290,520 391 85 184					1,809,458 2122 80 227					F6ENV 40,716 256 34 74									
UB5JG	35,000	200	34	81	ZL1A Z 199,927 424 74 95					K3UE 160,975 257 80 155					1,809,458 2122 80 227					F6ENV 40,716 256 34 74									
UB5KDD	27,132	176	27	87	ZL1BXW 21 157,392 739 23 49					K3U 106,745 207 56 129					1,809,458 2122 80 227					F6ENV 40,716 256 34 74									
UB5QD	26,564	213	30	86	ZL2AH 3.5 2,057 71 5 6					W3YFV 17,328 88 31 45					1,809,458 2122 80 227					F6ENV 40,716 256 34 74									
UB5QKQ	24,510	113	40	74	OGASAWARA ISLAND					NAAR 2,445,534 1591 150 396					1,809,458 2122 80 227					F6ENV 40,716 256 34 74									
UB5REN	23,655	139	28	70	JD1AMA 14 2,392 38 10 16					K3K 1,968,894 1359 143 370					1,809,458 2122 80 227					F6ENV 40,716 256 34 74									
UB5MSF	20,076	204	20	64	PAPUA NEW GUINEA					K4K 853,312 782 119 279					1,809,458 2122 80 227					F6ENV 40,716 256 34 74									
UB5FFV	17,938	215	8	54	P29PR 1.8 495 21 5 4					W4AJX 561,558 632 109 237					1,809,458 2122 80 227					F6ENV 40,716 256 34 74									
UB5ZFE	13,986	79	18	56	SOUTH AMERICA					W4AQV 344,799 475 89 184					1,809,458 2122 80 227					F6ENV 40,716 256 34 74									
UB5UWC	9,710	176	11	38	ARGENTINA					W400 205,084 320 92 144					1,809,458 2122 80 227					F6ENV 40,716 256 34 74									
UB5TCS	5,940	135	18	26	LU1EWL A 347,072 880 56 80					W4E 139,968 222 85 147					1,809,458 2122 80 227					F6ENV 40,716 256 34 74									
UB5YJ	5,409	28	13	17	LU4FDM 21 362,664 1274 28 80					K4EQW 79,655 164 64 115					1,809,458 2122 80 227					F6ENV 40,716 256 34 74									
UB5VAS	5,336	38	24	34	LU800 14 1,027,860 2699 37 111					K4KUZ 58,617 133 69 98					1,809,458 2122 80 227					F6ENV 40,716 256 34 74									
UB5TLN	1,176	28	10	18	BRAZIL					K5RC 3,221,384 1998 160 402					1,809,458 2122 80 227					F6ENV 40,716 256 34 74									
UB5CCP	744	25	9	15	PY40D A 680,400 1335 61 121					K5R 2,036,208 1579 136 336					1,809,458 2122 80 227					F6ENV 40,716 256 34 74									
UB5JG	660	14	7	15	PY1Z 171,986 515 44 69					K5D 388,969 484 101 206					1,809,458 2122 80 227					F6ENV 40,716 256 34 74									
UB5UO 28	840	19	8	13	PY1QJ 116,875 370 35 40					K5N 304,720 643 72 136					1,809,458 2122 80 227					F6ENV 40,716 256 34 74									
UB5M	350	10	6	8	PY2JC 76,960 351 35 45					K6M 795,906 922 107 199					1,809,458 2122 80 227					F6ENV 40,716 256 34 74									
UB5SW 21	41,818	192	29	74	PY3BC 61,337 254 35 48					K6N 487,066 545 111 195					1,809,458 2122 80 227					F6ENV 40,716 256 34 74									
UB5M	350	10	6	8	PY3BN 52,052 241 33 44					K6P 387,468 620 94 135					1,809,458 2122 80 227					F6ENV 40,716 256 34 74									
UB5T 28	840	19	8	13	PY3BQ 28,860 134 30 48					K6Q 216,540 373 83 131					1,809,458 2122 80 227					F6ENV 40,716 256 34 74									
UB5M	350	10	6	8	PY3BR 26,790 238 18 20					K6R 200,900 365 78 118					1,809,458 2122 80 227					F6ENV 40,716 256 34 74									
UB5M	350	10	6	8	PY3BS 21,182 215 12 22					K6S 553,194 893 83 136					1,809,458 2122 80 227					F6ENV 40,716 256 34 74									
UB5M	350	10	6	8	PY3BT 11,880 77 16 38					K6T 199,800 387 73 107					1,809,458 2122 80 227					F6ENV 40,716 256 34 74									
UB5M	350	10	6	8	PY3BU 8,022 87 20 22					K6U 1,247,242 1159 134 303					1,809,458 2122 80 227					F6ENV 40,716 256 34 74									
UB5M	350	10	6	8	PY3BV 5,703 26 15 25					K6V 388,969 484 101 206					1,809,458 2122 80 227					F6ENV 40,716 256 34 74									
UB5M	350	10	6	8	PY3BW 4,437 57 12 17					K6W 304,720 643 72 136					1,809,458 2122 80 227					F6ENV 40,716 256 34 74									
UB5M	350	10	6	8	PY3BX 21 403,627 1250 27 82					K6X 901,888 1183 103 168																			



Dave, WA2HZR, and Eric, ZS6ME, used these fine antennas for their V9ADC effort.



John, SM0DJZ, and Leif, SM0AJU, operators at 5H3BH, put that rare zone 37 on for us in fine fashion.



These three 300+ DXers teamed for the F3TV multi-single effort. Left to right are Bernard, F9IE; Oliver, F6ARC; and Jackie, F6BEE.

YUGOSLAVIA			
YZ4Z	2,784,382	3819	109 345
YT5A	1,756,398	2961	114 285
YZ2CRT	1,552,870	1903	103 317
YT3T	1,028,154	1666	89 260
4N2D	764,982	1184	88 231
YU2CKL	330,571	731	67 164
YU1EFG	301,896	820	61 191
YU4E2C	76,705	282	41 104

EUROPEAN USSR			
UZ4WWB	682,876	1391	80 236
UZ1ZWI	549,406	1196	61 160
UZ3AZW	548,244	1256	77 214
UZ4AXQ	248,809	1062	53 150
UZ6AZR	229,551	510	41 316
UZ3WWW	215,481	828	56 161
UZ3AXX	180,891	537	58 141
UZ6LXM	141,052	525	46 133
UZ4AWB	103,108	466	42 107
UZ1TWB	97,071	503	33 108
UZ1CXA	89,780	409	26 108
UZ3OXU	51,574	359	30 77
UZ4WVC	47,321	392	22 57
UZ3DXF	37,950	280	24 86

UZ3XWM	21,507	273	15 52
UZ1AWO	9,680	172	10 34
UZ1AWJ	5,421	108	10 29
UZ4FWN	3,626	80	14 35
RZ6AWP	800	20	19 20

BYELORUSSIA			
UC1AWC	560,456	1297	65 252
UC1WWF	386,712	956	66 196
UC10WG	114,924	440	50 133
UC1WWX	1,478	88	4 13
UC1AWF	896	32	10 19

ESTONIA			
UR1RWX	2,058,549	2567	118 371
UR1RWN	107,388	269	55 116
UR1RWQ	6,612	93	16 41

LATVIA			
UQ1GWW	1,721,874	2250	112 350
UQ1GWF	203,341	705	50 183
UQ1GXY	146,376	585	38 114
UQ1GXW	89,377	529	31 108

LITHUANIA			
UP1BZZ	2,600,427	2634	130 413
UP1BZO	1,256,234	1753	105 322

UP1BWW	1,140,156	1724	98 316
UP1BZA	1,126,352	1569	97 307
UP1BZG	1,049,653	1680	95 312
UP1BZR	713,394	1356	85 266
UP1BWG	455,520	1116	70 222
UP1BWF	128,674	479	46 136
UP1BWX	49,610	323	30 91

KALININGRAD DISTRICT

UZ2FWA	2,149,152	2582	117 371
--------	-----------	------	---------

MOLDAVIA

UO4OWR	68,440	514	35 81
--------	--------	-----	-------

UKRAINE

UB4IXB	1,367,280	1865	119 313
UB4XWB	980,850	2518	103 287
UB4MWA	482,477	1227	71 210
UB4QWW	459,928	1098	76 225
UB4LZA	331,056	1004	52 176
UB4RWW	196,803	789	52 145
UB4IWB	168,829	867	51 146
UB4MWU	82,397	442	34 115
RB4IXW	72,094	560	30 83
UB4IWR	72,090	412	32 103
UB4SWM	64,890	500	35 70
UB4EWE	56,424	280	37 97
UB4VWA	2,028	26	15 24

OCEANIA

AUSTRALIA

W13WI	359,388	912	51 83
-------	---------	-----	-------

GUAM

KD7P/KH2	4,487,665	3375	159 296
----------	-----------	------	---------

HAWAII

KH6SP	365,300	971	62 68
W3HHG/KH6	131,097	496	44 45

OGASAWARA ISLANDS

JA3ZRT/JD1	471,076	1224	57 74
------------	---------	------	-------

PHILIPPINES

DX1A	2,076,704	2813	83 171
------	-----------	------	--------

SOUTH AMERICA

FRENCH GUIANA

FY0GA	7,617,235	5117	131 368
-------	-----------	------	---------

MULTI-OPERATOR

MULTI-TRANSMITTER

NORTH AMERICA

UNITED STATES

N2AA	6,315,520	3488	157 483
W3LPL	4,646,621	2724	148 441
K6UA	4,217,924	2987	151 357
W3GM	3,500,928	2122	151 425
WB9AH/9	1,723,711	1502	136 313
N4ZC	1,198,449	1123	110 263
AA4S	766,840	728	113 267
K3ZUF	644,930	573	128 282
KF3R	380,635	469	85 198
W13K	123,144	276	56 112

ALASKA

NL7G	3,326,248	3963	162 212
------	-----------	------	---------

CANADA

XN3BVD	2,996,269	3096	124 295
--------	-----------	------	---------

AFRICA

CEUTA AND MELILLA

EA9CE	9,170,984	6310	111 377
-------	-----------	------	---------

ASIA

JAPAN

JA9YBA	4,470,165	3301	149 334
JA3YBF	3,508,550	2735	150 320
JA3YKC	3,041,948	2544	138 289
JG1ZUY	2,402,016	2253	126 256
JA7YAA	1,119,906	1471	102 177
JA7YCC	425,036	671	96 140
JA7YWD	215,464	442	80 104
JA2YEF	53,751	171	60 63

EUROPE

FAROE ISLANDS

OY6FRA	786,018	2424	62 207
--------	---------	------	--------

GERMANY (FRG)

DL0KF	3,111,242	3369	127 387
-------	-----------	------	---------

ROMANIA

YR6A	1,234,467	2686	92 259
------	-----------	------	--------

SVALBARD ISLAND			
JW5E	211,680	695	45 67

YUGOSLAVIA			
YU1EXY	5,529,092	4701	146 450
YZ2CRU	768,892	1300	86 216

OCEANIA			
HAWAII			
KH6JS	317,643	953	54 59

QRPP			
K8IA	A	271,656	399 83 169
4X6IF	"	258,132	628 39 108
AA2Z/1	"	192,864	355 60 136
K3WS	"	171,380	306 68 141
UP2BL	"	161,109	507 62 159
UB5JJA	"	119,024	475 41 131
KA2AEV	"	108,224	238 57 121
W8VSK	"	103,488	214 58 118
YU3MJ	"	101,244	394 45 111
K7SS	"	98,735	249 63 93
W5VGM	"	85,973	231 60 89
DL8CM	"	80,262	331 36 111
SM1CNS	"	61,200	292 38 115
JATAS	"	58,006	224 46 51
OK1DKR	"	51,597	301 33 114
I4KRF	"	50,400	349 29 91
UB5GJP	"	48,875	271 25 90
UB5PO	"	46,574	240 31 115
Y21XC	"	42,840	251 31 95
WB9HRO	"	35,750	129 42 68
LA9PCA	"	35,427	329 22 99
KC0Q	"	33,988	123 45 71
UT4UB	"	33,800	282 24 76
OZ5WQ	"	33,456	222 31 92
AH6EK	"	33,264	268 18 24
Y2ZEY	"	32,808	238 23 54
JH3LCU/1	"	27,534	136 35 43
UR2ROA	"	26,400	259 21 67
DA1JE	"	25,403	191 28 105
N8CQA	"	20,400	91 43 57
SM7KWE	"	17,556	176 24 52
SM4KL	"	13,973	143 20 69
K4RDU	"	13,446	75 33 50
Y26JD	"	12,544	247 8 41
Y27EO	"	12,144	165 11 58
WD5BRR	"	11,550	62 33 42
OK1DZD	"	10,787	131 21 46
PA8PIR	"	10,150	89 24 46
KF8T	"	8,954	59 32 42
PA8ADT	"	7,936	87 18 44
LB3HC	"	7,622	192 11 25
LA1XDA	"	6,111	95 16 44
YO4BQV	"	3,243	60 13 34
UZ1AWW	"	2,926	67 11 27
PA3BUD	"	2,352	42 12 30
VE8PH	"	1,751	52 6 11
PA8ATG	"	1,258	29 11 23
YU1PJQ	"	1,144	44 6 20
SM7CZC	"	966	25 9 25

KK7C	"	432	22 7 5
JH9HXF/1	28	1,392	23 10 14
ZS6PT	"	540	27 9 11
UB5RCA	"	180	7 5 7
Y06DDF	"	24	2 2 2
JF6TMH	"	12	2 2 2
UD6DF	21	27,132	223 9 33
EC8AFX	"	24,136	146 16 40
UR2CR	"	8,456	83 15 41
UB5FDM	"	6,028	82 13 31
W6MYH	"	4,401	59 14 13
OH3GD	"	154	12 3 8
JA2DN	14	49,050	244 25 50
JK1MAZ	"	48,412	237 25 51
JA2KVD	"	35,855	188 26 45
UA9AMF	"	35,640	232 15 45
JH2WIC	"	16,524	125 21 30
JA18N	"	9,911	85 19 34
G3VMY	"	9,548	195 10 34
UA3TBY	"	6,216	143 7 30
R9SUV	"	1,720	30 7 13
VK45F	"	1,071	21 9 8
OZ8E	"	828	44 5 13
UA4PMW	7	91,698	562 29 73
OK1DCP	"	16,646	238 10 48
UB5CEI	"	9,646	114 15 38
UA1ZFT	"	3,325	75 11 24
UB5CGN	3.5	23,177	412 9 40
UB5UKH	"	18,648	274 9 47
JA3IOX	"	18,247	303 8 41
SP3EY	"	11,266	271 9 37
RB5GD	"	9,555	174 8 41
Y25XA	"	8,272	171 7 40
Y05CYH	"	6,200	197 6 25
SP9GKM	"	6,072	175 6 27
YO4BEX	"	5,472	161 6 26
Y24KG	"	5,074	108 8 35
SP9IGY	"	2,938	114 5 21
Y05CUD			